

Dell™ PowerEdge™ 2900 Systems

Getting Started With Your System

系統使用入門

開始使用系統

はじめに

시스템시작하기

Model ECM01

Dell™ PowerEdge™ 2900 Systems

Getting Started With Your System

Notes, Notices, and Cautions



NOTE: A NOTE indicates important information that helps you make better use of your computer.



NOTICE: A NOTICE indicates either potential damage to hardware or loss of data and tells you how to avoid the problem.



CAUTION: A CAUTION indicates a potential for property damage, personal injury, or death.

Information in this document is subject to change without notice.

© 2005 Dell Inc. All rights reserved.

Reproduction in any manner whatsoever without the written permission of Dell Inc. is strictly forbidden.

Trademarks used in this text: *Dell* and the *DELL* logo are trademarks of Dell Inc.; *Intel* and *Xeon* are registered trademarks of Intel Corporation; *Microsoft* and *Windows* are registered trademark and *Windows Server* is a trademark of Microsoft Corporation; *Novell* and *NetWare* are registered trademarks of Novell, Inc.; *Red Hat* is a registered trademark of Red Hat, Inc.; *SUSE* is a registered trademark of SUSE LINUX Products GmbH.

Other trademarks and trade names may be used in this document to refer to either the entities claiming the marks and names or their products. Dell Inc. disclaims any proprietary interest in trademarks and trade names other than its own.

Model ECM01

November 2005

P/N YC465

Rev. A00

System Features

The major hardware and software features of your system include:

- One or two Dual-Core Intel® Xeon® Processors 5000 Sequence.
- Support for symmetric multiprocessing (SMP), which is available on systems with two Intel Xeon processors. SMP greatly improves overall system performance by dividing processor operations between independent processors. To take advantage of this feature, you must use an operating system that supports multiprocessing.



NOTE: If you decide to upgrade your system by installing a second processor, you must order the processor upgrade kits from Dell. Not all versions of the Intel Xeon processor will work properly as additional processors. The upgrade kit from Dell contains the correct version of the processor, heat sink, and fan as well as the instructions for performing the upgrade.

- A minimum of 512 MB of 533 or 667 MHz (when available), Fully Buffered DIMMs (FBD), upgradable to a maximum of 48 GB by installing combinations of 256-MB, 512-MB, 1-GB, 2-GB, or 4-GB memory modules in the twelve memory module sockets on the system board.

The system also features redundant memory, which provides memory sparing or memory mirroring. Either feature is available if eight or twelve identical memory modules are installed.

- Support for up to ten 3.5-inch, internal hot-pluggable Serial-Attached SCSI (SAS) or SATA hard drives (eight 3.5-inch internal hard drives with hot-pluggable backplane board, and support for two additional hot-pluggable 3.5-inch drives in the peripheral bay using the optional 1x2 flexbay backplane board).
- Peripheral bay provides support for an optional optical drive and an optional half-height tape backup unit (TBU). A full-height TBU is supported with the 1x2 flexbay bracket removed.
- An optional single, 1.44-MB, 3.5-inch diskette drive.
- An optional CD, DVD, or combination CD-RW/DVD drive.



NOTE: DVD devices are data only.

- An intrusion switch that signals the appropriate systems management software if the top cover is opened.
- Up to two hot-pluggable, 930-W power supplies in a 1 + 1 redundant configuration.
- Six hot-pluggable system cooling fans.

The system board includes the following features:

- Six PCI slots located in an expansion-card cage. Slots 1 and 2 are 3.3-V, 64-bit, 133-MHz PCI-X slots; slot 3 is a 3.3-V, PCIe x8 lane; slots 4 through 6 are 3.3-V, PCIe x4 lanes. Expansion-card slots accommodate full-height, full-length expansion cards. PCIe slots accommodate up to x8 expansion cards.
- Dedicated PCI slot for an integrated SAS host bus adapter or an optional integrated RAID controller card with 256 MB of cache memory and a RAID battery.



NOTE: System boot is not supported from an external device attached to a SAS or SCSI adapter, including SAS 5/E, PERC 5/E, or PERC 4e/DC. See support.dell.com for the latest support information about booting from external devices.

- Two integrated Gigabit Ethernet NICs, capable of supporting 10-Mbps, 100-Mbps, and 1000-Mbps data rates.
- Six USB 2.0-compliant connectors (two on the front and four on the back) capable of supporting a diskette drive, a CD-ROM or DVD-ROM drive, a keyboard, a mouse, or a USB flash drive.
- Optional remote access controller (RAC) for remote systems management.
- An integrated VGA-compatible video subsystem with an ATI ES1000, 33-MHz PCI video controller. This video subsystem contains 16 MB of DDR SDRAM video memory (nonupgradable). Maximum resolution is 1600 x 1200 with 64 K colors; true-color graphics are supported in the following resolutions: 640 x 480, 800 x 600, 1024 x 768, 1152 x 864, and 1280 x 1024. When the optional RAC is installed, the video resolution is 1024 X 768.
- Systems management circuitry that monitors operation of the system fans as well as critical system voltages and temperatures. The systems management circuitry works in conjunction with the systems management software.
- Standard baseboard management controller with serial access.
- Back-panel connectors include one serial, one video, four USB, and two NIC connectors.
- Front-panel connectors include a video and two USB connectors.
- Front-panel 1x5 LCD for system ID and error messaging.
- System ID button on the front and back panels.


For more information about specific features, see "Technical Specifications" on page 10.

Supported Operating Systems

- Microsoft® Windows Server™ 2003 Standard and Enterprise Editions
- Microsoft Windows Small Business Server 2003, Standard and Premium Editions
- Microsoft Windows Server 2003 Standard and Enterprise x64 Editions
- Red Hat® Enterprise Linux AS and ES (version 3 and version 4) for Intel x86

- Red Hat Enterprise Linux AS and ES (version 4) for Intel Extended Memory 64 Technology (Intel EM64T)
- SUSE® Linux Enterprise Server 9 for Intel EM64T
- Novell® NetWare® 6.5 (when available; not available factory-installed)

Other Information You May Need

 **CAUTION:** The *Product Information Guide* provides important safety and regulatory information. Warranty information may be included within this document or as a separate document.

- The *Rack Installation Instructions* or *Rack Installation Guide* included with your rack solution describes how to install your system into a rack.
- The *Hardware Owner's Manual* provides information about system features and describes how to troubleshoot the system and install or replace system components. The *Hardware Owner's Manual* is available on the CDs that came with your system or on support.dell.com.
- CDs included with your system provide documentation and tools for configuring and managing your system.
- Release notes or readme files may be included to provide last-minute updates to the system or documentation or advanced technical reference material intended for experienced users or technicians.

Obtaining Technical Assistance


If you do not understand a procedure in this guide or if the system does not perform as expected, see your *Hardware Owner's Manual*.


Dell Enterprise Training and Certification is available; see www.dell.com/training for more information. This service may not be offered in all locations.

Installation and Configuration

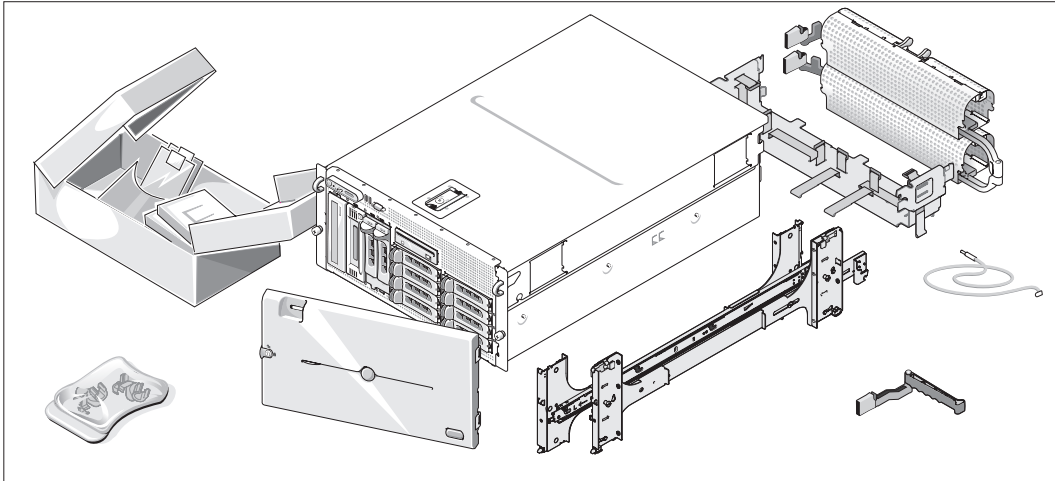
 **CAUTION:** Before performing the following procedure, read and follow the safety instructions and important regulatory information in your *Product Information Guide*.

This section describes the steps to set up your system for the first time. The illustrations that follow show a rack-mounted system, but the installation procedure applies in large part to a stand-alone tower system. In place of the rack installation in step 2, refer to the documentation included with your system on installing the stabilizer feet on your system.

 **CAUTION:** Installing the feet on a stand-alone tower system is necessary to provide a stable foundation for the system. Failure to install the feet poses the risk of having the system tip over, possibly causing bodily injury or damage to the system.

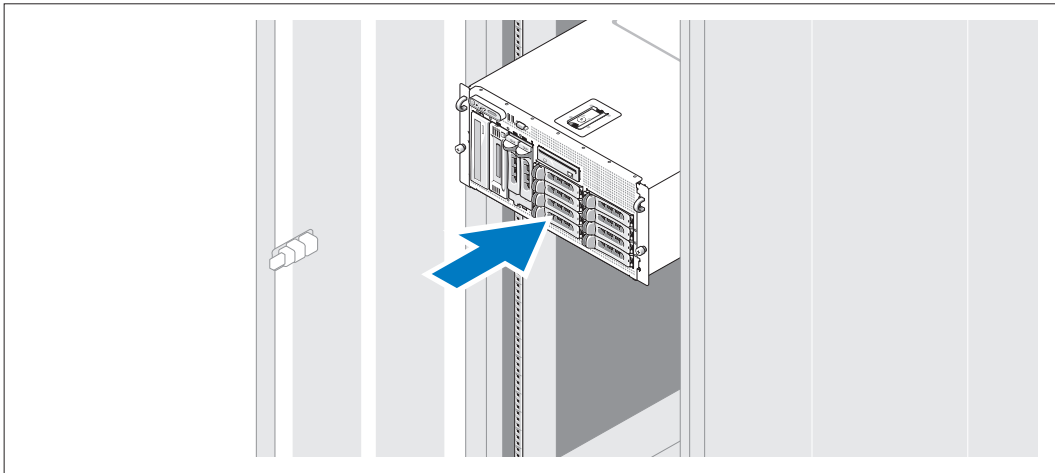
 **CAUTION:** Whenever you need to lift the system, get others to assist you. To avoid injury, do not attempt to lift the system by yourself.

Unpacking the System



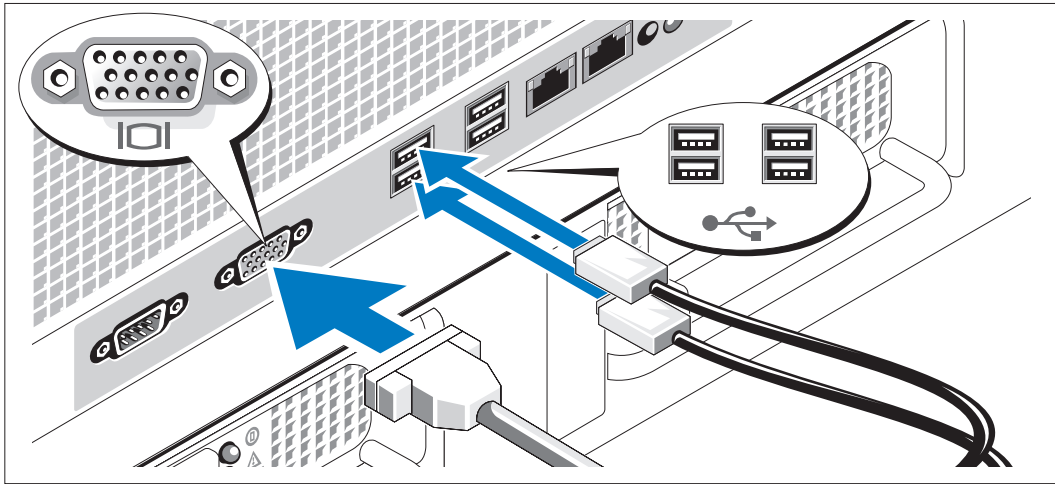
- 1 Unpack your system and identify each item.
Keep all shipping materials in case you need them later.

Installing the Rails and System in a Rack



- 2 Once you have read the "Safety Instructions" located in the rack installation documentation for your system, install the rails and the system in the rack.
See your rack installation documentation for instructions on installing your system in a rack.
For a tower system, see the documentation included with your system on installing the system stabilizer feet.

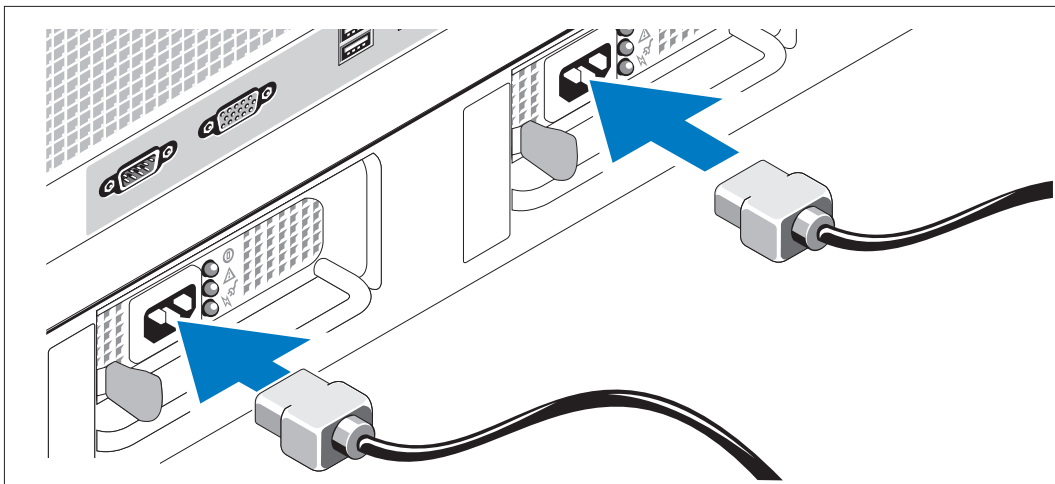
Connecting the Keyboard, Mouse, and Monitor



- 3 Connect the keyboard, mouse, and monitor (optional).

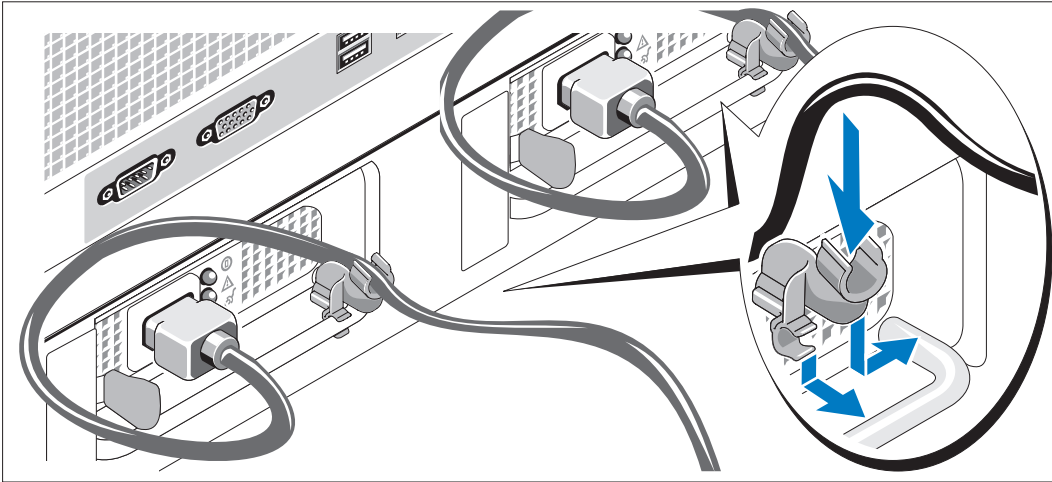
The connectors on the back of your system have icons indicating which cable to plug into each connector. Be sure to tighten the screws (if any) on the monitor's cable connector.

Connecting the Power



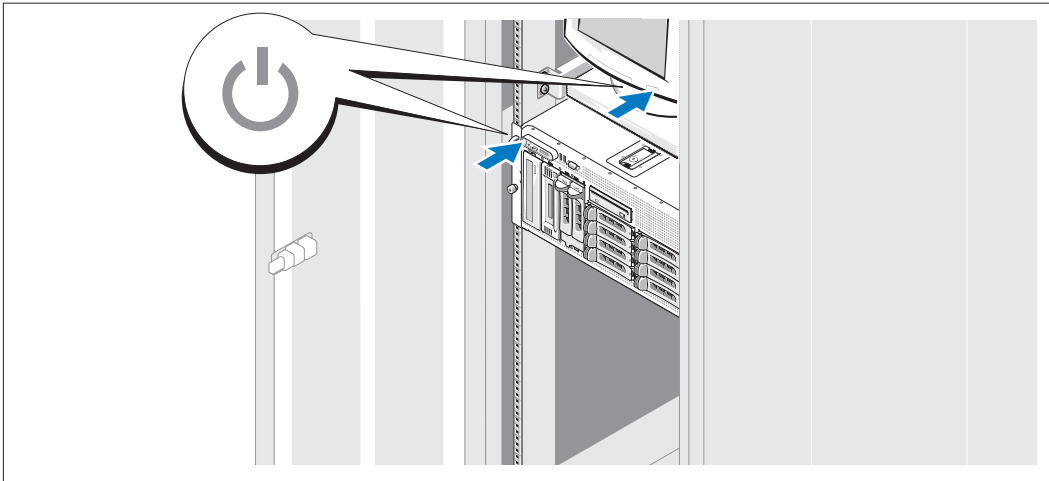
- 4 Connect the system's power cable(s) to the system.
- 5 Plug the other end of the cable into a grounded electrical outlet or a separate power source such as an uninterruptible power supply (UPS) or a power distribution unit (PDU).

Installing the Power Cord Retention Bracket



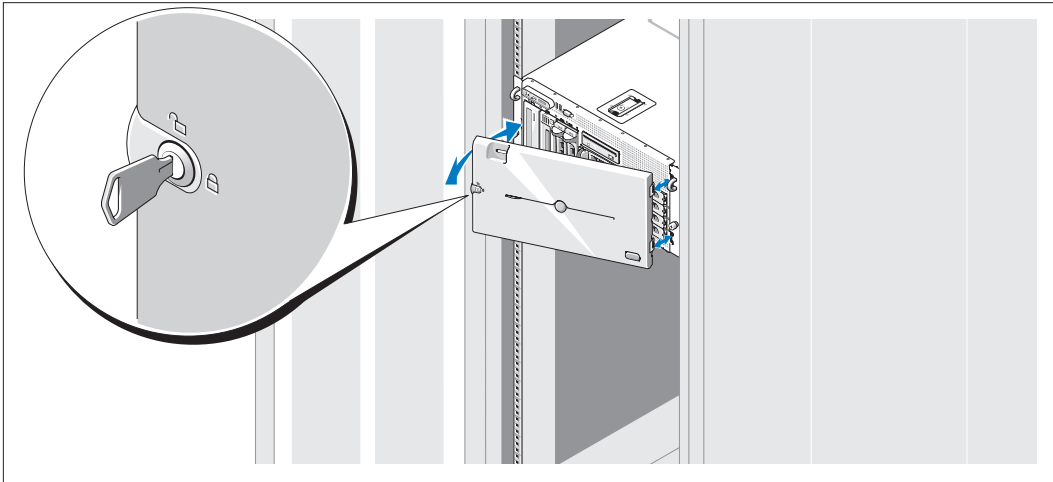
- 6 Attach the power cord retention bracket on the right bend of the power supply handle. Bend the system power cable into a loop as shown in the illustration and attach to the bracket's cable clasp. Repeat the procedure for the second power supply.

Turning on the System



- 7 Turn on the system and monitor (optional).
Press the power button on the system and the monitor. The power indicators should light. Adjust the monitor's controls until the displayed image is satisfactory.

Installing the Bezel



- 8 Install the bezel (optional).

Complete the Operating System Setup

If you purchased a preinstalled operating system, see the operating system documentation that ships with your system. To install an operating system for the first time, see the *Quick Installation Guide*. Be sure the operating system is installed before installing hardware or software not purchased with the system.

Technical Specifications

Processor	
Processor type	One or two Dual-Core Intel Xeon Processors 5000 Sequence

Expansion Bus	
Bus type	PCI, PCI-X, PCIe
Expansion slots	
PCI-X	two full-height, full-length 3.3-V, 64-bit, 133-MHz (slots 1 and 2)
PCIe	one x8 lane, 3.3-V (slot 3) three x4 lanes, 3.3-V (slots 4 through 6)

Memory	
Architecture	533 or 667 MHz (when available) Fully Buffered DIMMs (FBD)
Memory module sockets	twelve 240-pin
Memory module capacities	256 MB, 512 MB, 1 GB, 2 GB, or 4 GB
Minimum RAM	512 MB (two 256-MB module)
Maximum RAM	48 GB

Drives	
Hard drives	up to ten 3.5-inch, internal, hot-plug SAS or SATA <ul style="list-style-type: none">• eight drives in the internal drive bay• two drives in the optional 1x2 flexbay backplane expansion
Diskette drive	one optional 3.5-inch, 1.44-MB external optional USB 3.5-inch, 1.44-MB
Optical drive	one optional CD, DVD, or combination CD-RW/DVD NOTE: DVD devices are data only. external optional USB CD-ROM external optional USB DVD-ROM
Flash drive	external optional USB

Connectors

Back

NIC	Two TOE-capable RJ-45 (for integrated 1-GB NICs)
Serial	9-pin, DTE, 16550-compatible
USB	Four 4-pin, USB 2.0-compliant
Video	15-pin VGA

Front

Video	15-pin VGA
USB	Two 4-pin, USB 2.0-compliant

Video

Video type	ATI ES1000 video controller; VGA connectors
Video memory	16 MB of DDR SDRAM

Power

AC power supply (per power supply)

Wattage	930 W
Voltage	90–264 VAC, autoranging, 47–63 Hz
Heat dissipation	2697 BTU/hr maximum
Maximum inrush current	Under typical line conditions and over the entire system ambient operating range, the inrush current may reach 55 A per power supply for 10 ms or less

Batteries

System battery	CR 2032 3.0-V lithium ion coin cell
RAID battery (optional)	4.1-V lithium ion

Physical

Rack

Height	21.77 cm (8.57 in)
Width	44.27 cm (17.43 in) chassis only 48.27 cm (19 in) with rack flanges

Physical (continued)

Depth 66.13 cm (26.04 in) does not include control panel or bezel; control panel adds an additional 1.3 cm (.51 in)

Weight (maximum configuration) 45.36 kg (100 lb)

Tower (without bezel)

Height 47.89 cm (18.85 in) with feet, no casters

Width 22.66 cm (8.92 in)

Depth 66.13 cm (26.04 in) does not include control panel or bezel; control panel adds an additional 1.3 cm (.51 in)

Weight (maximum configuration) 49.9 kg (110 lb)

Environmental

NOTE: For additional information about environmental measurements for specific system configurations, see www.dell.com/environmental_datasheets.

Temperature

Operating 10° to 35°C (50° to 95°F)

Storage -40° to 65°C (-40° to 149°F)

Relative humidity

Operating 20% to 80% (noncondensing) with a maximum humidity gradation of 10% per hour

Storage 5% to 95% (noncondensing)

Maximum vibration

Operating 0.26 G from 5–350Hz for 2 min in the Z axis

Storage 1.54 G from 10–250 Hz for 15 min in all orientations

Maximum shock

Operating One shock pulse in the positive z axis (one pulse on each side of the system) of 41 G for up to 2 ms

Storage Six consecutively executed shock pulses in the positive and negative x, y, and z axes (one pulse on each side of the system) of 71 G for up to 2 ms

Altitude

Operating -16 to 3048 m (-50 to 10,000 ft)

Storage -16 to 10,600 m (-50 to 35,000 ft)

Dell™ PowerEdge™ 2900 系统

系统使用入门

注、注意和警告



注：注表示可以帮助您更好地使用计算机的重要信息。



注意：注意表示可能会损坏硬件或导致数据丢失，并告诉您如何避免此类问题。



警告：警告表示可能会导致财产损失、人身伤害甚至死亡。

本说明文件中的信息如有更改，恕不另行通知。

© 2005 Dell Inc. 版权所有，翻印必究。

未经 Dell Inc. 书面许可，严禁以任何形式进行复制。

本文中使用的商标：*Dell* 和 *DELL* 徽标是 Dell Inc. 的商标；*Intel* 和 *Xeon* 是 Intel Corporation 的注册商标；*Microsoft* 和 *Windows* 是 Microsoft Corporation 的注册商标，*Windows Server* 是 Microsoft Corporation 的商标；*Novell* 和 *NetWare* 是 Novell, Inc. 的注册商标；*Red Hat* 是 Red Hat, Inc. 的注册商标；*SUSE* 是 SUSE LINUX Products GmbH 的注册商标。

本文件中述及的其它商标和产品名称是指拥有相应商标和名称的公司或其制造的产品。Dell Inc. 对本公司的商标和产品名称之外的其它商标和名称不拥有任何专有权。

型号 ECM01

2005 年 11 月

P/N YC465

修订版 A00

系统配置

系统的主要硬件和软件配置包括：

- 一个或两个双核心 Intel® Xeon® 处理器 5000 序列。
- 支持对称多处理 (SMP)，配备两个 Intel Xeon 处理器的系统具有此功能。SMP 通过在独立的处理器之间分配处理器操作，从而极大地改善了整体的系统性能。要使用此功能，必须使用支持多处理的操作系统。



注： 如果您准备安装第二个处理器来升级系统，则必须向 Dell 订购处理器升级套件。并非所有版本的 Intel Xeon 处理器均可作为附加处理器正常工作。Dell 的升级套件包含正确版本的处理器、散热器和风扇，以及执行升级的说明。

- 至少 512 MB 的 533 或 667（可用时）MHz 全缓冲 DIMM (FBD)，通过在系统板上的十二个内存模块插槽中安装 256 MB、512 MB、1 GB、2 GB 或 4 GB 内存模块组合，最大可升级至 48 GB。

系统还配置了冗余内存，可提供内存冗余或内存镜像功能。如果安装了八个或十二个完全相同的内存模块，则同时提供内存冗余或内存镜像功能。

- 支持多达十个 3.5 英寸内部热插拔串行连接的 SCSI (SAS) 或 SATA 硬盘驱动器（热插拔底板支持八个 3.5 英寸内部硬盘驱动器，使用可选的灵活托架底板可支持在外围设备托架中另外安装两个热插拔 3.5 英寸驱动器）。
- 外围设备托架可支持一个可选的光盘驱动器和一个可选的半高磁带备份装置 (TBU)。卸下 1x2 灵活托架支架后，可支持一个全高 TBU。
- 一个可选的 1.44 MB、3.5 英寸软盘驱动器。
- 一个可选的 CD、DVD 或组合 CD-RW/DVD 驱动器。




注： DVD 设备仅用于数据。

- 防盗开关，在顶盖被打开时会向相应的系统管理软件发送信号。
- 多达两个 930 W 热插拔电源设备（1 + 1 冗余配置）。
- 六个热插拔系统冷却风扇。

系统板包含以下配置：

- 位于扩充卡固定框架上的六个 PCI 插槽。插槽 1 和 2 是 3.3 V、64 位、133 MHz PCI-X 插槽；插槽 3 是一个 3.3 V、PCIe x8 信道插槽；插槽 4 至插槽 6 是 3.3 V、PCIe x4 信道插槽。扩充卡插槽可以安装全高、全长扩充卡。PCIe 插槽可以安装多达 x8 个扩充卡。

- 专用 PCI 插槽，用于安装集成的 SAS 主机总线适配器或配有 256 MB 高速缓存和 RAID 电池的可选集成 RAID 控制器卡。

 **注：** 不支持从连接到 SAS 或 SCSI 适配器的外部设备引导系统，包括 SAS 5/E、PERC 5/E 或 PERC 4e/DC。有关支持从外部设备引导的最新信息，请参阅 support.dell.com。


- 两个集成的千兆位以太网 NIC，可支持 10 Mbps、100 Mbps 和 1000 Mbps 数据速率。
- 六个 USB 2.0 兼容连接器（两个在正面，四个在背面），可以支持软盘驱动器、CD-ROM 或 DVD-ROM 驱动器、键盘、鼠标或 USB 快擦写驱动器。
- 可选的远程访问控制器 (RAC)，用于远程系统管理。
- VGA 兼容集成视频子系统，带有 ATI ES1000、33 MHz PCI 视频控制器。此视频子系统包含 16 MB 的 DDR SDRAM 视频内存（不可升级）。使用 64 K 色时最大分辨率为 1600 x 1200；以下分辨率支持真彩色图形：640 x 480、800 x 600、1024 x 768、1152 x 864 和 1280 x 1024。如果安装了可选的 RAC，则视频分辨率为 1024 X 768。
- 系统管理电路，可监测系统风扇的运行以及系统临界电压和温度。系统管理电路需要与系统管理软件配合工作。
- 标准底板管理控制器，支持串行访问。
- 背面板连接器包括一个串行连接器、一个视频连接器、四个 USB 连接器和两个 NIC 连接器。
- 前面板连接器包括一个视频连接器和两个 USB 连接器。
- 前面板 1x5 LCD 显示屏，用于显示系统 ID 和错误信息。
- 系统 ID 按钮，位于前面板和背面板上。

有关特定配置的详细信息，请参阅第 22 页的“技术规格”。

支持的操作系统

- Microsoft® Windows Server™ 2003 标准版和企业版
- Microsoft Windows Small Business Server 2003 标准版和高级版
- Microsoft Windows Server 2003 标准版和企业版（64 位）
- 用于 Intel x86 的 Red Hat® Enterprise Linux AS 和 ES（第 3 版和第 4 版）
- 用于 Intel 64 位扩展内存技术 (Intel EM64T) 的 Red Hat Enterprise Linux AS 和 ES（第 4 版）
- 用于 Intel EM64T 的 SUSE® Linux Enterprise Server 9
- Novell® NetWare® 6.5（可用时，非工厂安装）

您可能需要的其它信息

 **警告：**《产品信息指南》，提供了重要的安全信息和管制信息。保修信息可能包括在该说明文件中，也可能作为单独的说明文件提供。

- 随机架解决方案附带的《机架安装说明》或《机架安装指南》，介绍了如何在机架中安装系统。
- 《硬件用户手册》提供了有关系统部件的信息，并介绍了如何排除系统故障以及如何安装或更换系统组件。《硬件用户手册》可在随系统提供的 CD 或在 support.dell.com 上获得。
- 随系统附带的 CD 提供了用于配置和管理系统的说明文件和工具。
- 系统可能附带发布注释或自述文件，以提供系统或说明文件的最新更新内容，或者为有经验的用户或技术人员提供高级技术参考资料。

获得技术帮助


如果您对本指南中的步骤有疑问，或系统运行无法达到预期效果，请参阅《硬件用户手册》。

Dell 可以提供企业培训与认证；有关详情，请访问 www.dell.com/training。并非在所有国家和地区均可提供此服务。

安装和配置

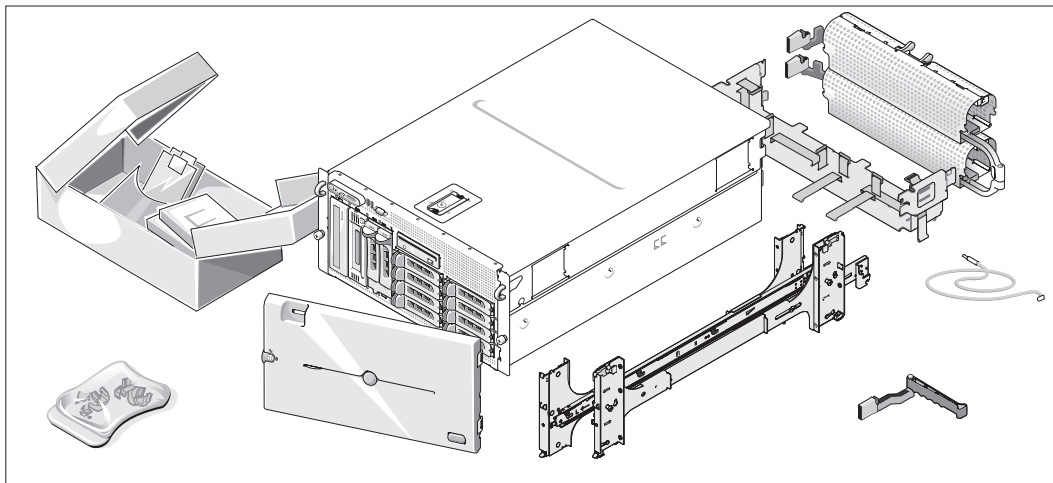
 **警告：**在执行以下过程之前，请阅读并遵循《产品信息指南》中的安全说明和重要的管制信息。

本节介绍初次安装系统时的步骤。图例显示了一个机架固定式系统，但安装过程大体上适用于独立的塔式系统。请参阅随系统提供的说明文件在系统上安装稳定支脚，以替代步骤 2 中的机架安装。

 **警告：**要为系统提供稳固的基础，需要在独立的塔式系统上安装支脚。如果未安装支脚，可能存在导致系统倾翻的危险，从而可能造成人身伤害或损坏系统。

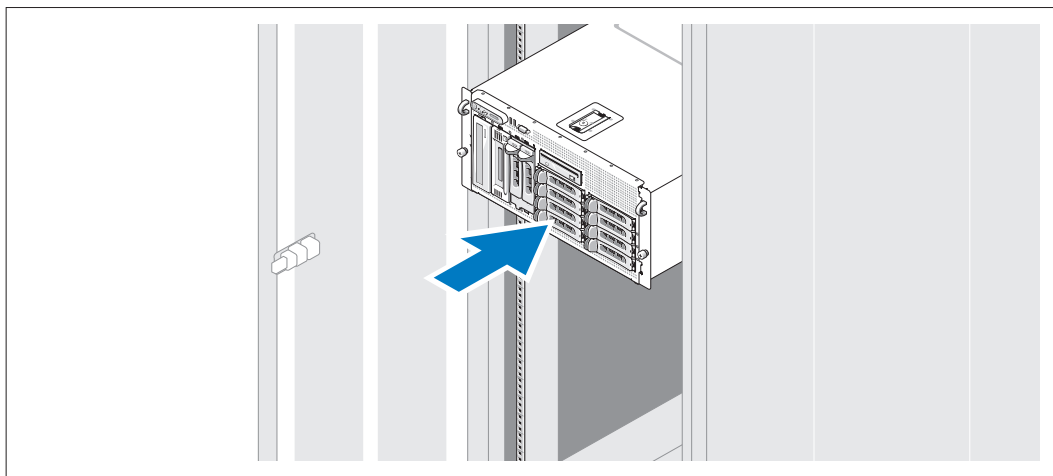
 **警告：**无论何时您需要抬起系统，均需找他人协助。为了避免造成伤害，请勿尝试自行抬起系统。

打开系统包装



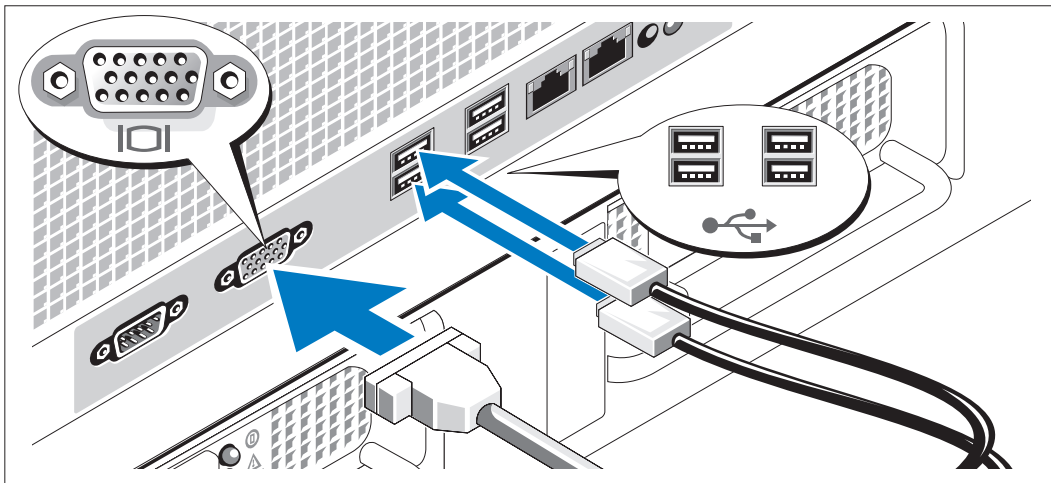
- 1 打开系统包装并识别每项物品。
妥善保管所有运输包装材料，以备将来使用。

在机架中安装滑轨和系统



- 2 在仔细阅读了系统的机架安装说明文件中的“安全说明”之后，在机架中安装滑轨和系统。
有关在机架中安装系统的说明，请参阅机架安装说明文件。
对于塔式系统，请参阅随系统提供的说明文件安装系统稳定支脚。

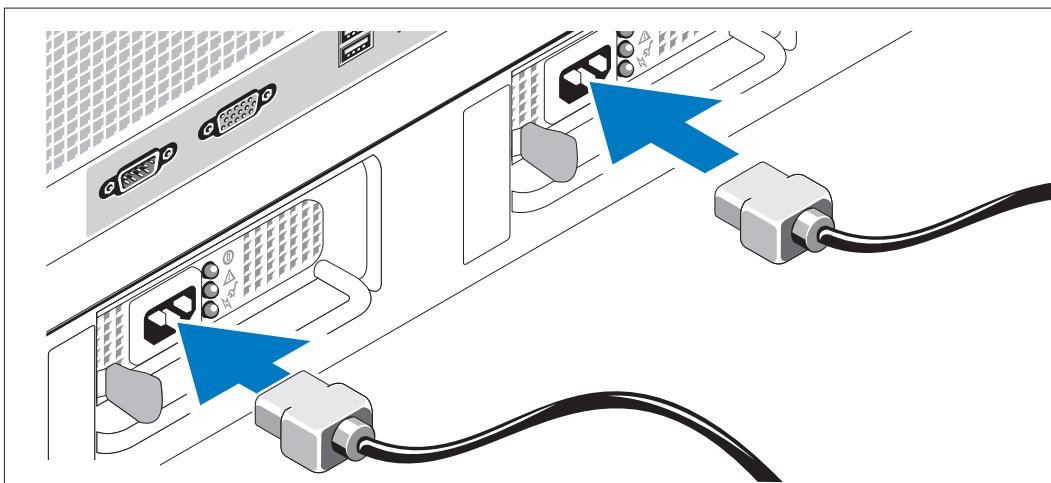
连接键盘、鼠标和显示器



3 连接键盘、鼠标和显示器（可选）。

系统背面的连接器附有图标，这些图标指示了要插入每个连接器的电缆。确保拧紧显示器的电缆连接器上的螺钉（如果有）。

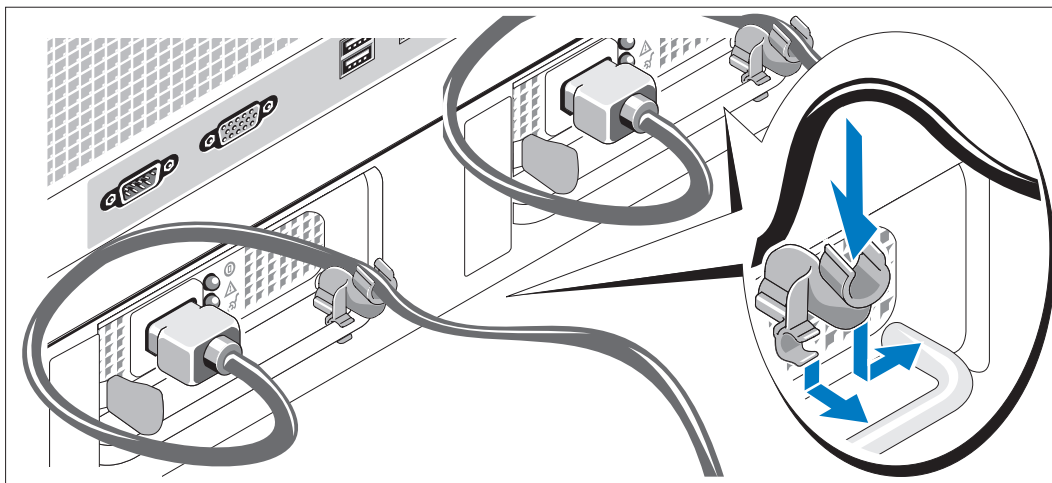
连接电源



4 将系统的电源电缆连接至系统。

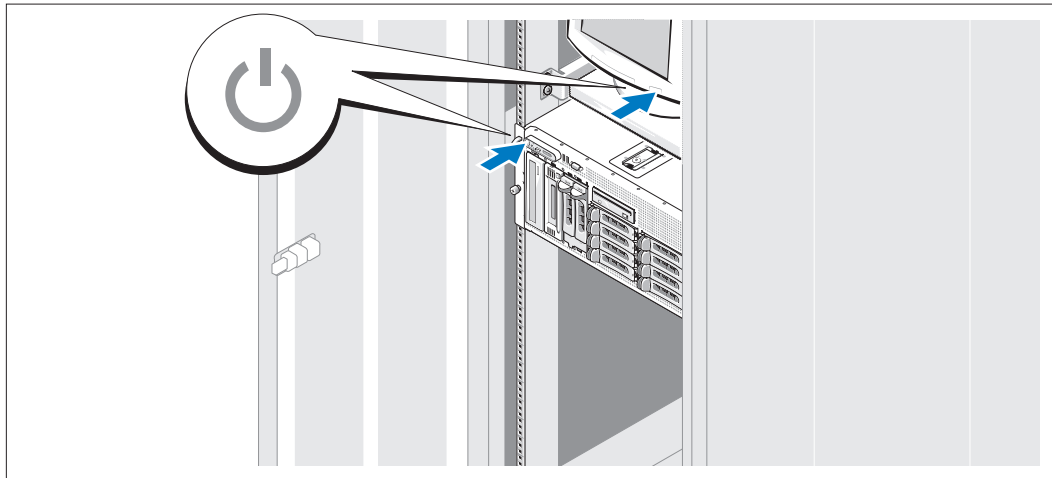
5 将电缆的另一端插入接地的电源插座或单独的电源，如不间断电源设备 (UPS) 或配电装置 (PDU)。

安装电源线固定支架



- 在电源设备手柄的右侧拐弯处上方连接电源线固定支架。如图例所示，将系统电源电缆弯曲成环状，并连接至支架的电缆挂钩。对第二个电源设备重复此过程。

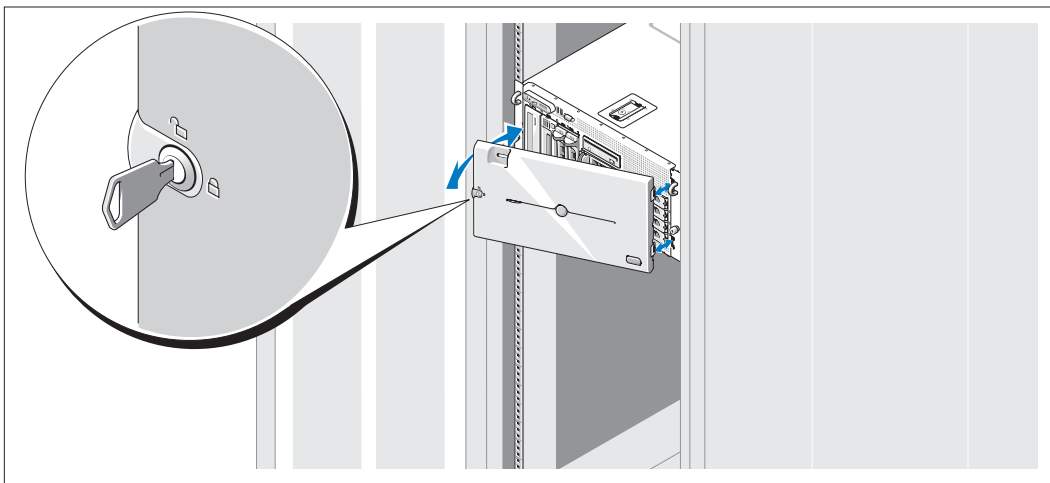
开启系统



- 打开系统和显示器（可选）。

按下系统和显示器的电源按钮。电源指示灯将会亮起。调节显示器的控制按钮直至获得满意的显示图像。

安装挡板



- 8 安装挡板（可选）。

完成操作系统安装

如果购买了预安装的操作系统，请参阅随系统提供的操作系统说明文件。如果是初次安装操作系统，请参阅《快速安装指南》。在安装非随系统购买的硬件或软件之前，请确保安装了操作系统。

技术规格

处理器

处理器类型 一个或两个双核心 Intel Xeon 处理器 5000 序列

扩充总线

总线类型 PCI、PCI-X、PCIe

扩充槽

PCI-X 两个全高、全长、3.3 V、64 位、133 MHz
(插槽 1 和 2)

PCIe 一个 x8 信道、3.3 V (插槽 3)
三个 x4 信道、3.3 V (插槽 4 至 6)

内存

体系结构 533 或 667 MHz (可用时) 全缓冲 DIMM (FBD)

内存模块插槽 12 个 240 针

内存模块容量 256 MB、512 MB、1 GB、2 GB 或 4 GB

最小 RAM 512 MB (两个 256 MB 模块)

最大 RAM 48 GB

驱动器

硬盘驱动器 最多十个 3.5 英寸、内部、热插拔 SAS 或 SATA

- 在内部驱动器托架中安装八个驱动器
- 在可选的 1x2 灵活托架背板扩充板上安装两个驱动器

软盘驱动器 一个可选的 3.5 英寸 1.44 MB 软盘驱动器
外部可选的 USB 3.5 英寸 1.44 MB 软盘驱动器

光盘驱动器 一个可选的 CD、DVD 或组合
CD-RW/DVD

注： DVD 设备仅用于数据。

外部可选的 USB CD-ROM
外部可选的 USB DVD-ROM

快擦写驱动器 外部可选的 USB

连接器

背面

NIC	两个支持 TOE 的 RJ-45（用于集成的 1 GB NIC）
串行	9 针、DTE、16550 兼容连接器
USB	四个 4 针、USB 2.0 兼容
视频	15 针 VGA 连接器

正面

视频	15 针 VGA 连接器
USB	两个 4 针、USB 2.0 兼容

视频

视频类型	ATI ES1000 视频控制器；VGA 连接器
视频内存	16 MB DDR SDRAM

电源

交流电源设备（每个电源设备）

功率	930 W
电压	90 - 264 VAC、范围自动调节、47 - 63 Hz
散热	最大 2697 BTU/小时
最大涌入电流	在典型的线路条件下和整个系统运行范围内，每个电源设备在 10 毫秒或更短时间内的涌入电流可达 55 A

电池

系统电池	CR 2032 3.0 V 锂离子币形电池
RAID 电池（可选）	4.1 V 锂离子电池

物理规格

机架

高度	21.77 厘米（8.57 英寸）
宽度	44.27 厘米（17.43 英寸）（仅机箱） 48.27 厘米（19 英寸）（包括机架凸缘）
厚度	66.13 厘米（26.04 英寸），不包括控制面板或挡板；如果包括控制面板，则另外增加 1.3 厘米（.51 英寸）
重量（最大配置）	45.36 千克（100 磅）

物理规格 (续)

塔式 (不包括挡板)

高度	47.89 厘米 (18.85 英寸) (包括支脚, 不包括脚轮)
宽度	22.66 厘米 (8.92 英寸)
厚度	66.13 厘米 (26.04 英寸), 不包括控制面板或挡板; 如果包括控制面板, 则另外增加 1.3 厘米 (.51 英寸)
重量 (最大配置)	49.9 千克 (110 磅)

环境参数

注: 有关特定系统配置的环境参数规格的其他信息, 请参阅 www.dell.com/environmental_datasheets。

温度

运行时 10° 至 35° C (50° 至 95° F)

存放时 -40° 至 65° C (-40° 至 149° F)

相对湿度

运行时 20% 至 80% (非冷凝), 最大湿度变化梯度为每小时 10%

存放时 5% 至 95% (非冷凝)

最大振动

运行时 Z 轴上可承受 0.26 G、5 - 350 Hz 的振动, 可持续 2 分钟

存放时 在所有方向上, 可承受 1.54 G、10 - 250 Hz 的振动, 可持续 15 分钟

最大撞击

运行时 z 轴正方向上可承受一个 41 G 的撞击脉冲 (系统每一面承受一个脉冲), 最多可持续 2 毫秒

存放时 x、y 和 z 轴正负方向上可承受连续六个 71 G 的撞击脉冲 (系统每一面承受一个脉冲), 最多可持续 2 毫秒

海拔高度

运行时 -16 至 3048 米 (-50 至 10,000 英尺)

存放时 -16 至 10,600 米 (-50 至 35,000 英尺)

Dell™ PowerEdge™ 2900 系統

開始使用系統

註、注意事項、警示



備註：「註」指出可協助您善加利用電腦的重要資訊。



注意：「注意事項」表示可能會損壞硬體或導致資料遺失，並告訴您如何避免此類問題的發生。



警告：「警示」指出財產、人身可能遭受損害甚或造成死亡。

本文件中的資訊如有變更，恕不另行通知。

© 2005 Dell Inc. 版權所有。

未經 Dell Inc. 的書面許可，不得以任何形式進行複製。

本文件中使用的商標：*Dell* 與 *DELL* 標誌是 Dell Inc. 的商標；*Intel* 與 *Xeon* 是 Intel Corporation 的註冊商標；*Microsoft* 與 *Windows* 是 Microsoft Corporation 的註冊商標；*Windows Server* 是 Microsoft Corporation 的商標；*Novell* 與 *NetWare* 是 Novell, Inc. 的註冊商標；*Red Hat* 是 Red Hat, Inc. 的註冊商標；*SUSE* 是 SUSE LINUX Products GmbH 的註冊商標。

本文件中述及的其他商標和商業名稱可能指擁有相應商標和名稱的公司實體或其產品。Dell Inc. 對本公司之外的商標和產品名稱不擁有任何專有權。

型號 ECM01

2005 年 11 月

P/N YC465

Rev. A00

系統功能

系統的主要硬體及軟體功能包括：

- 一或兩個雙核心 Intel® Xeon® 處理器 5000 序列。
- 支援對稱式多元處理 (SMP)，此功能適用於具有兩個 Intel Xeon 處理器的系統。SMP 透過劃分獨立處理器之間的處理器作業，大大改善了系統的整體效能。若要利用此功能，必須使用支援多元處理的作業系統。



備註：如果決定安裝第二個處理器來升級系統，必須向 Dell 訂購處理器升級套件。並非所有版本的 Intel Xeon 處理器均可作為附加處理器正常作業。Dell 升級套件包含正確版本的處理器、散熱片與風扇，以及執行升級的說明。

- 最小 512 MB 的 533 或 667 MHz（可用時）、全緩衝式 DIMM (FBD)，可透過在系統主機板上的十二個記憶體模組插槽中安裝 256-MB、512-MB、1-GB、2-GB 或 4-GB 記憶體模組的組合升級至最大 48 GB。

系統也配備有冗餘記憶體，提供記憶體備援或記憶體鏡像。如果安裝了八個或十二個相同的記憶體模組，則任一功能均可用。

- 支援最多十個 3.5 英寸的內部熱插序列連接 SCSI (SAS) 或 SATA 硬碟機（八個帶有熱插底板的 3.5 英寸內部硬碟機，並且在使用選購 1x2 摺疊架底板的週邊裝置架中支援兩個附加熱插 3.5 英寸硬碟機）。
- 週邊裝置架支援選購的光碟機與可選的半高磁帶備援單元 (TBU)。全高 TBU 受支援，且無需 1x2 摺疊架。
- 選購的單個 1.44-MB、3.5 英寸磁碟機。
- 選購的 CD、DVD 或組合 CD-RW/DVD 光碟機。



備註：DVD 裝置僅裝載資料。

- 如果頂蓋開啟，入侵開關即向相應的系統管理軟體發出訊號。
- 1 + 1 冗餘組態形式的最多兩個熱插 930-W 電源供應器。
- 六個熱插系統冷卻風扇。

系統主機板包括下列配件：

- 六個位於擴充卡箱中的 PCI 插槽。插槽 1 與 2 是 3.3-V、64 位元、133-MHz PCI-X 插槽；插槽 3 是 3.3-V、PCIe x8-lane；插槽 4 至 6 是 3.3-V、PCIe x4-lane。擴充卡插槽可容納全-高、全-長擴充卡。PCIe 插槽可容納最多 x8 個擴充卡。
- 整合式 SAS 主機匯流排配接卡的專用 PCI 插槽，或具有 256 MB 快取記憶體與 RAID 電池的選購整合式 RAID 控制卡的專用 PCI 插槽



備註：連接到 SAS 或 SCSI 配接卡的外部裝置（包括 SAS 5/E、PERC 5/E 或 PERC 4e/DC）不支援系統啟動。請瀏覽 support.dell.com，以取得有關從外部裝置啟動的最新支援資訊。


- 兩個整合式 Gigabit Ethernet NIC，支援 10-Mbps、100-Mbps 與 1000-Mbps 資料速率。
- 六個 USB 2.0 標準的連接器（正面兩個，背面四個），支援磁碟機、CD-ROM 或 DVD-ROM 光碟機、鍵盤、滑鼠或 USB 快閃磁碟機。
- 用於遠端系統管理的選購遠端存取控制器 (RAC)。
- 具有 ATI ES1000、33-MHz PCI 視訊控制器的整合式 VGA 相容視訊子系統。此視訊子系統包含 16 MB 的 DDR SDRAM 視訊記憶體（不可升級）。最大解析度為 1600 x 1200，支援 64 K 色；全彩圖形支援以下解析度：640 x 480、800 x 600、1024 x 768、1152 x 864 及 1280 x 1024。安裝選購的 RAC 後，視訊解析度為 1024 x 768。
- 監控系統風扇作業以及重要系統電壓與溫度的系統管理電路。系統管理電路與系統管理軟體聯合作業。
- 可以進行序列存取的標準基礎板管理控制器。
- 後面板連接器包括一個序列連接器、一個視訊連接器、四個 USB 連接器以及兩個 NIC 連接器。
- 前面板連接器包括一個視訊連接器與兩個 USB 連接器。
- 用於顯示系統 ID 與錯誤訊息的前面板 1x5 LCD。
- 前面板與背面板上的系統 ID 按鈕。

如需特定功能的詳細資訊，請參閱第 34 頁的「技術規格」。

支援的作業系統

- Microsoft® Windows Server™ 2003 標準版與企業版
- Microsoft Windows Small Business Server 2003 標準版與豪華版
- Microsoft Windows Server 2003 標準版與企業 x64 版
- Intel x86 適用的 Red Hat® Enterprise Linux AS 與 ES（版本 3 及版本 4）
- Intel Extended Memory 64 Technology (Intel EM64T) 適用的 Red Hat Enterprise Linux AS 與 ES（版本 4）
- Intel EM64T 適用的 SUSE® Linux Enterprise Server 9
- Novell® NetWare® 6.5（可用時；出廠安裝的不可用）

其他您可能需要的資訊

-  **警告：** *產品資訊指南*提供重要的安全與管制資訊。保固資訊包含於此文件或以單獨文件附加。
- *機架安裝說明*或*機架安裝指南*隨附於機架解決方案裝，將說明如何將系統安裝於機架中。
 - *硬體使用者手冊*提供關於系統功能的資訊，並說明如何排除系統問題或更換系統元件。*硬體使用者手冊*在系統隨附的 CD 中提供，亦可參閱 support.dell.com。
 - 隨附於系統的 CD 將提供說明文件與工具以供配置與管理系統之用。
 - 可能會隨附附註說明或讀我檔案以提供最新的系統更新、說明文件、進階的技術參考資料以供有經驗的使用者或技術人員使用。

獲得技術援助


若您不瞭解此指南中的程序，或系統無法按照預期執行，請參閱*硬體使用者手冊*。

Dell 企業培訓和認證目前已可使用，請瀏覽 www.dell.com/training 以獲得更多資訊。此服務可能無法在所有地區提供。

安裝與配置

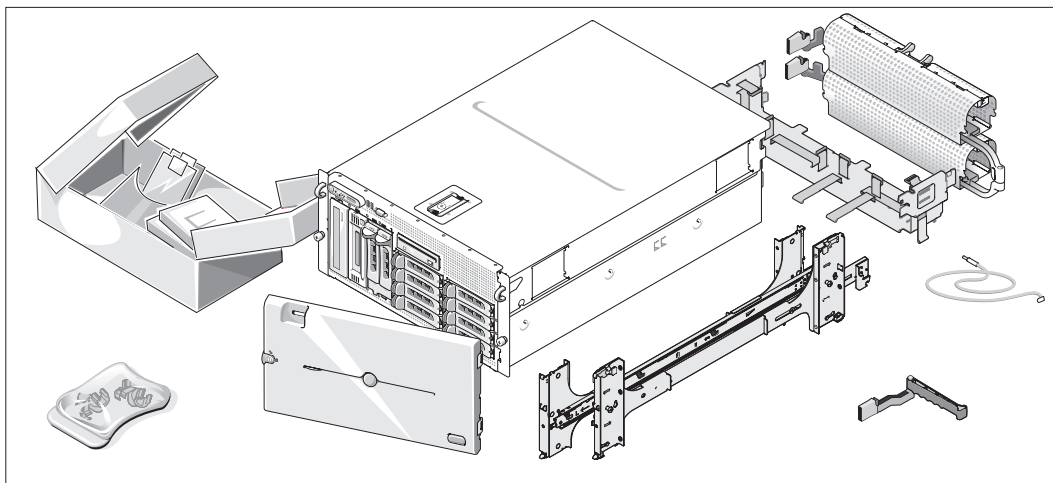
-  **警告：** 執行以下程序之前，請閱讀並遵照*產品資訊指南*中的安全說明與重要管制資訊

本章將說明第一次設定系統的步驟。下列圖例顯示機架安裝型系統，但安裝程序主要適用於獨立式塔臺系統。取代步驟 2 中的機架安裝，具體請參閱系統隨附的文件中關於在系統上安裝穩定支腳的資訊。

-  **警告：** 為了給系統提供一穩定的基礎，在獨立式塔臺系統上安裝支腳是必要的。不安裝支腳的系統會有翻倒的風險，可能造成人身傷害或系統損壞。

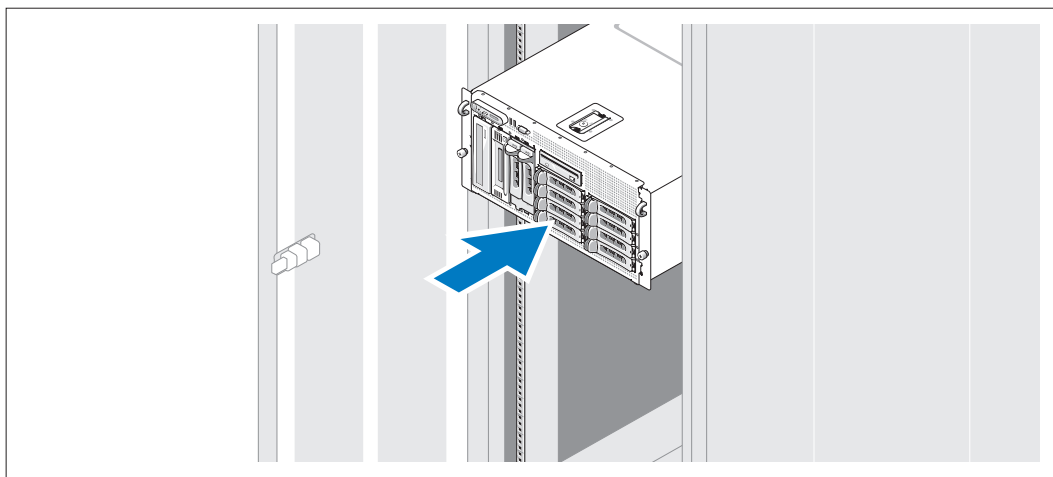
-  **警告：** 需要搬運系統時，請務必尋求他人的協助。為避免傷害，請勿嘗試獨自搬運系統。

從裝箱取出系統



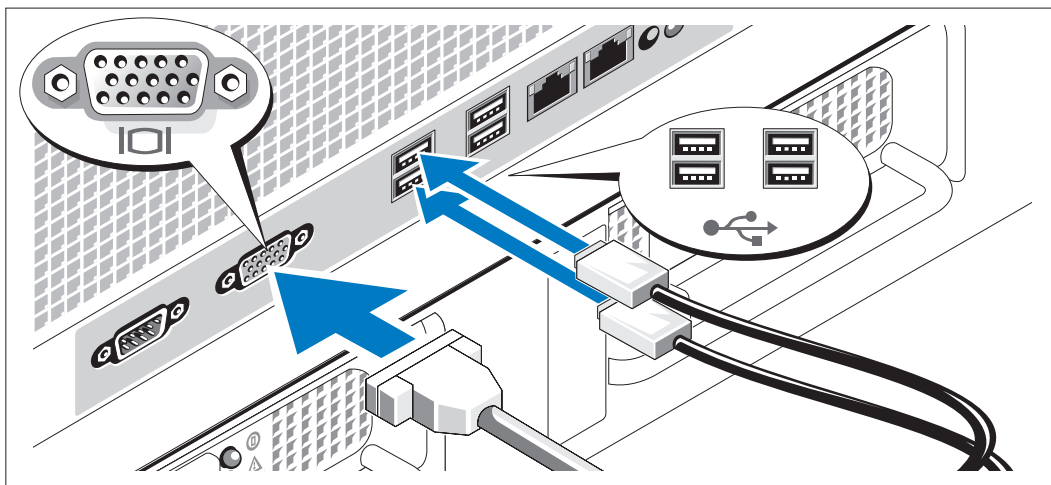
- 1 從裝箱取出系統並識別每個項目。
保留所有隨附材料以備之後所需。

在機架中安裝滑軌與系統



- 2 在閱讀位於系統中，機架安裝說明文件的「安全說明」之後，再於機架中安裝滑軌與系統。
請參閱機架安裝說明文件以取得關於在機架中安裝系統的說明。
對於塔臺系統，請參閱系統隨附文件中關於安裝系統穩定支腳的資訊。

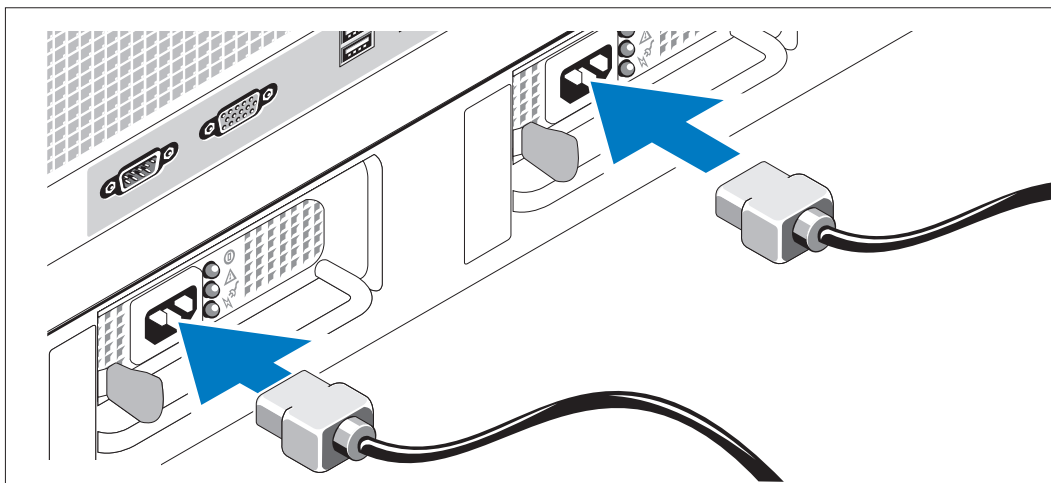
連接鍵盤、滑鼠與監視器



3 連接鍵盤、滑鼠與監視器（選購）。

系統背面的連接器有圖示指明各連接器中需插入的電纜。請確保擰緊監視器電纜連接器上的螺絲（如果有）。

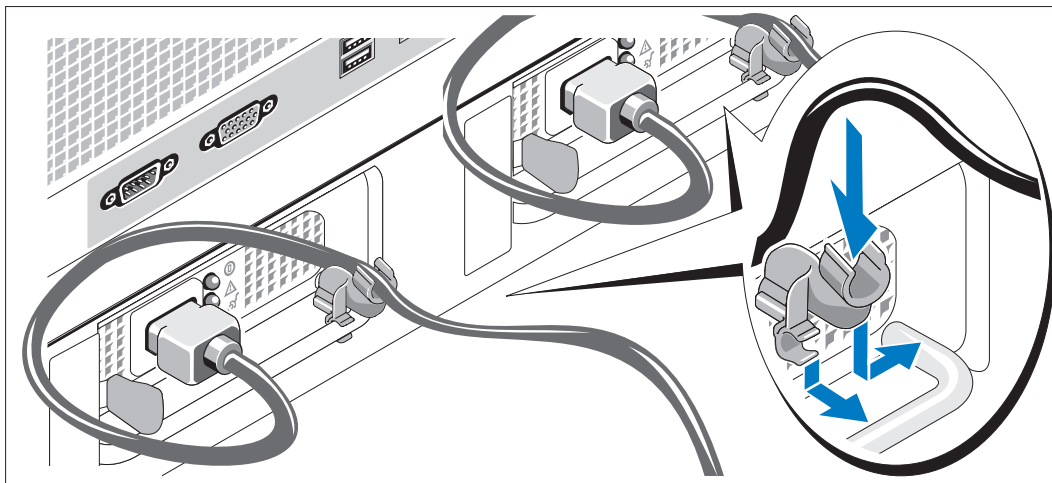
連接電源



4 將系統的電源線連接至系統。

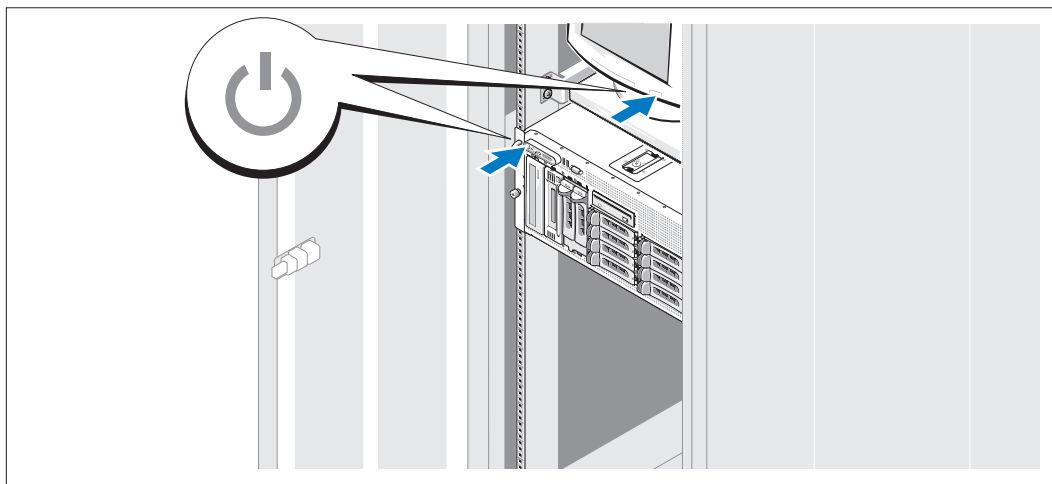
5 將電源線的另一端插入接地的電源插座或單獨的電源中，例如不斷電的電源供應器 (UPS) 或電源配電單元 (PDU)。

安裝電源線支撐托架



- 6** 在電源供應器手柄的右折彎處連接電源線支撐托架。如圖所示將系統電源線折彎成一個環，然後連接至托架的纜線扣。為第二個電源供應器重複程序。

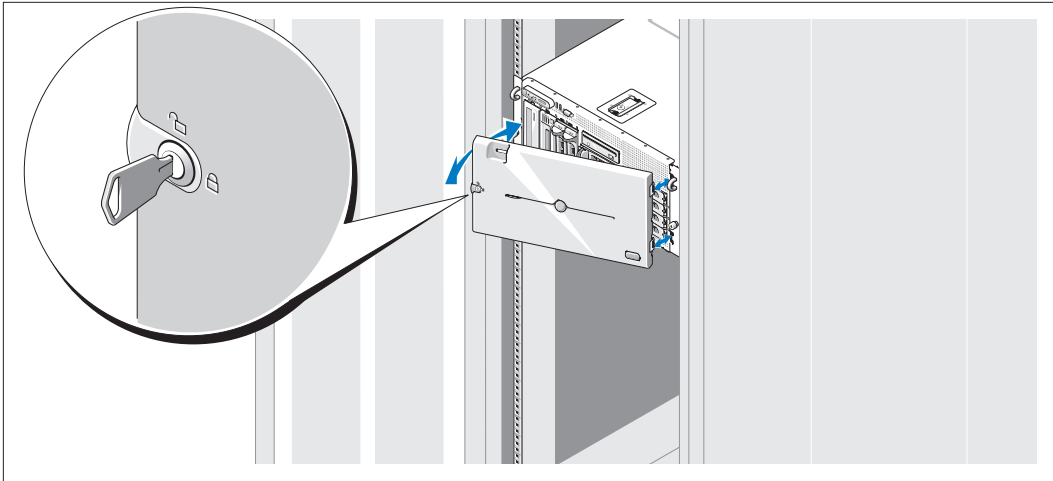
開啟系統



- 7** 開啟系統與監視器（選購）。

按系統與監視器上的電源按鈕。電源指示燈應亮起。調整監視器的控制項，直到您對顯示的影像感到滿意。

安裝前蓋



- 8 安裝前蓋（選購）。

完成作業系統安裝

如果購買了預先安裝的作業系統，請參閱系統隨附的作業系統文件。若是第一次安裝作業系統，請參閱*快速安裝指南*。請確保先安裝作業系統，然後安裝未隨系統一起購買的硬體或軟體。

技術規格

處理器

處理器類型 一或兩個雙核心 Intel Xeon 處理器 5000 序列

擴充匯流排

匯流排類型 PCI、PCI-X、PCIe

擴充插槽

PCI-X 兩個全高、全長 3.3-V、64 位元、133-MHz
(插槽 1 與 2)

PCIe 一個 x8-lane、3.3-V (插槽 3)
三個 x4-lane、3.3-V (插槽 4 至 6)

記憶體

架構 533 或 667 MHz (可用時) 全緩衝式 DIMMs (FBD)

記憶體模組插槽 十二個 240 接腳

記憶體模組容量 256 MB、512 MB、1 GB、2 GB 或 4 GB

最小 RAM 512 MB (兩個 256-MB 模組)

最大 RAM 48 GB

磁碟機

硬碟機 最多十個 3.5 英吋的內部熱插 SAS 或 SATA

- 八個磁碟機位於內部磁碟機架中
- 兩個磁碟機位於選購的 1x2 摺疊底板擴充架中

磁碟機 一個選購的 3.5 英吋、1.44-MB 磁碟機外部選購的 USB 3.5 英吋、1.44-MB 磁碟機

光碟機 一個選購的 CD、DVD 或組合 CD-RW/DVD 光碟機

備註： DVD 裝置僅裝載資料。

外部選購的 USB CD-ROM
外部選購的 USB DVD-ROM

快閃磁碟機 外部選購的 USB

連接器

背面

NIC 兩個 TOE 相容的 RJ-45
(用於整合式 1-GB NIC)

序列 9 接腳、DTE、16550 相容型

連接器 (續)

USB	四個 4 接腳的 USB 2.0 標準
視訊	15 接腳 VGA

正面

視訊	15 接腳 VGA
USB	兩個 4 接腳的 USB 2.0 標準

視訊

視訊類型	ATI ES1000 視訊控制器;VGA 連接器
視訊記憶體	16 MB 的 DDR SDRAM

電源**AC 電源供應器 (每個電源供應器)**

瓦特	930 W
電壓	90-264 VAC, 自動調整範圍, 47-63 Hz
散熱	最大 2697 BTU/小時
最大湧入電流	在通常的線路狀況下和整個系統環境操作範圍內, 每個電源供應器的湧入電流在 10 毫秒或更短時間內可能達到 55 A。

電池

系統電池	CR 2032 3.0-V 鋰性鈕扣式電池
RAID 電池 (選購)	4.1-V 鋰電池

實體**機架**

高度	21.77 公分 (8.57 英吋)
寬度	僅機殼為 44.27 公分 (17.43 英吋) 帶機架法蘭為 48.27 公分 (19 英吋)
深度	66.13 公分 (26.04 英吋), 不包括控制面板或前蓋; 控制面板另有 1.3 公分 (.51 英吋) 深
重量 (最大配置)	45.36 公斤 (100 磅)

塔臺 (不含前蓋)

高度	47.89 公分 (18.85 英吋), 含支架, 但不帶腳輪
寬度	22.66 公分 (8.92 英吋)
深度	66.13 公分 (26.04 英吋), 不包括控制面板或前蓋; 控制面板另有 1.3 公分 (.51 英吋) 深

實體 (續)

重量 (最大配置)	49.9 公斤 (110 磅)
-----------	-----------------

環境

備註：如需關於特定系統配置的環境量度的其他資訊，請參閱 www.dell.com/environmental_datasheets。

溫度

作業	-10°C 至 35°C (50°F 至 95°F)
----	----------------------------

存放	-40°C 至 65°C (40°F 至 149°F)
----	-----------------------------

相對濕度

作業	20% 至 80% (非冷凝)，最大濕度梯度為每小時 10%
----	--------------------------------

存放	5% 至 95% (非冷凝)
----	----------------

最大振動

作業	Z 軸方向 2 分鐘內 5-350Hz 時為 0.26 G
----	-------------------------------

存放	所有方向 15 分鐘內 10-250 Hz 時為 1.54 G
----	---------------------------------

最大衝擊

作業	z 軸正方向一次脈衝 (系統每端一次脈衝) 41 G，最長可維持 2 毫秒
----	---------------------------------------

存放	x、y、z 軸正負方向六次連續脈衝 (系統每端一次脈衝) 71 G，最長可維持 2 毫秒
----	--




海拔高度

作業	-16 至 3048 公尺 (-50 至 10,000 英尺)
----	---------------------------------

存放	-16 至 10,600 公尺 (-50 至 35,000 英尺)
----	-----------------------------------

Dell™ PowerEdge™ 2900 システム はじめに

メモ、注意、警告

-  **メモ**：コンピュータを使いやすくするための重要な情報を説明しています。
-  **注意**：ハードウェアの損傷やデータの損失の可能性を示し、その危険を回避するための方法を説明しています。
-  **警告**：物的損害、けが、または死亡の原因となる可能性があることを示します。

本書の内容は予告なく変更されることがあります。

© 2005 すべての著作権は Dell Inc. にあります。

Dell Inc. の書面による許可のない複製は、いかなる形態においても厳重に禁じられています。

本書で使用されている商標について：*Dell* および *DELL* ロゴは Dell Inc. の商標です。*Intel* および *Xeon* は Intel Corporation の登録商標です。*Microsoft* および *Windows* は Microsoft Corporation の登録商標です。*Windows Server* は Microsoft Corporation の商標です。*Novell* および *NetWare* は Novell, Inc. の登録商標です。*Red Hat* は Red Hat, Inc. の登録商標です。*SUSE* は SUSE LINUX Products GmbH の登録商標です。

本書では、必要に応じて上記以外の商標や会社名が使用されている場合がありますが、これらの商標や会社名は、一切 Dell Inc. に所属するものではありません。

モデル ECM01

2005 年 11 月


P/N YC465

Rev. A00

システムの機能

お使いのシステムの主要なハードウェアとソフトウェアの機能は、次のとおりです。

- デュアルコア Intel® Xeon® Processors 5000 Sequence が 1 つまたは 2 つ。
- 2 つの Intel Xeon プロセッサが搭載されているシステムの場合、SMP（対称型マルチプロセッシング）をサポート。SMP は、独立した複数のプロセッサに処理を分散することにより、システム全体の性能を飛躍的に高めます。この機能を活用するには、マルチプロセッシング対応のオペレーティングシステムを使用する必要があります。

 **メモ**：2 つ目のプロセッサを取り付けてシステムをアップグレードする場合は、デルのプロセッサアップグレードキットを購入する必要があります。Intel Xeon プロセッサには、増設用には使用できないバージョンもあります。デルのアップグレードキットには、正しいバージョンのプロセッサと、アップグレードを実行するための手順書が入っています。

- 最小メモリ容量は 512 MB。533 または 667 MHz（利用可能な場合）の完全バッファ型 DIMM（FBD）を使用します。システム基板の 12 個のメモリモジュールソケットに 256 MB、512 MB、1 GB、2 GB、または 4 GB のメモリモジュールを組み合わせて取り付けることで最大 48 GB にまで増設可能です。

このシステムは、メモリスペアリング機能やメモリミラーリングを可能にする冗長メモリ機能にも対応しています。同一仕様のメモリモジュールを 8 または 12 個取り付けている場合は、どちらの機能も利用できます。

- ホットプラグ対応の 3.5 インチ内蔵シリアル接続 SCSI（SAS）または SATA ハードドライブを 10 台までサポート（ホットプラグ対応バックプレーンボードを使用して 3.5 インチ内蔵ハードドライブを 8 台、および、オプションの 1x2 フレックスベイバックプレーンボードを使用して周辺機器ベイにホットプラグ対応 3.5 インチドライブ 2 台を増設可能）。
- 周辺機器ベイには、オプションのオプティカルドライブとオプションのハーフハイトテープバックアップユニット（TBU）を取り付けることができます。1x2 フレックスベイブラケットを取り外せば、フルハイト TBU を取り付けることができます。
- 1.44 MB、3.5 インチのディスケットドライブ 1 台（オプション）。
- オプションの CD、DVD、または CD-RW/DVD コンボドライブが取り付け可能。

 **メモ**：DVD デバイスはデータ専用。

- トップカバーが開けられた場合に、適切なシステム管理ソフトウェアに信号を送るインテリジェントスイッチ。
- ホットプラグ対応の 930 W 電源装置を 1 + 1 冗長構成で 2 台まで。
- ホットプラグ対応システム冷却ファンが 8 つ。

システム基板には、次の機能が搭載されています。

- 6つのPCIスロットを持つ拡張カードケース。スロット1と2は3.3V、64ビット、133MHz PCI-Xスロット。スロット3は3.3V、PCIe x8レーン。スロット4～6は3.3V、PCIe x4レーン。拡張カードスロットには、フルハイト、フルレングスの拡張カードを取り付け可能。PCIeスロットにはx8までの拡張カードを取り付けることができます。
- 内蔵SASホストバスアダプタ用、または256MBのキャッシュメモリとRAIDバッテリーを備えたオプションの内蔵RAIDコントローラカード用の専用PCIスロット。



メモ：SAS 5/E、PERC 5/E、またはPERC 4e/DCを含め、SASまたはSCSIアダプタに接続された外付けデバイスからのシステム起動はサポートされていません。外付けデバイスからの起動に関する最新のサポート情報については、support.dell.comを参照してください。

- 10 Mbps、100 Mbps、および1000 Mbpsのデータ転送速度をサポートする内蔵Gigabit Ethernet NICが2つ。
- ディスクドライブ、CD-ROMもしくはDVD-ROMドライブ、キーボード、マウス、またはUSBフラッシュドライブをサポートするUSB 2.0対応のコネクタ6つ（正面に2つと背面に4つ）。
- リモートシステム管理用のオプションのリモートアクセスコントローラ（RAC）。
- ATI ES1000、33 MHz PCIビデオコントローラ搭載のVGA互換内蔵ビデオサブシステム。このビデオサブシステムには、16 MBのDDR SDRAMビデオメモリが組み込まれています（アップグレード不可）。最大解像度1600 x 1200（64,000色）。True Colorグラフィックを次の各解像度でサポートします。640 x 480、800 x 600、1024 x 768、1152 x 864、および1280 x 1024。オプションのRAC取り付けた場合のビデオ解像度は1024 x 768になります。
- 重要なシステム電圧と温度に加え、システムファンの動作も監視するシステム管理回路。システム管理回路は、システム管理ソフトウェアと連動して機能します。
- シリアルアクセスを持つ標準ベースボード管理コントローラ。
- 背面パネルには、シリアル、ビデオ、4つのUSB、および2つのNICの各コネクタを装備。
- 正面パネルには、ビデオコネクタと2つのUSBコネクタを装備。
- システムIDおよびエラーメッセージを表示する正面パネル1x5 LCD。
- 正面パネルおよび背面パネルにはシステムIDボタンを装備。


それぞれの機能の詳細については、「仕様」（46ページ）を参照してください。

サポートされているオペレーティングシステム

- Microsoft® Windows Server™ 2003 Standard Edition および Enterprise Edition
- Microsoft Windows Small Business Server 2003, Standard Edition および Premium Edition
- Microsoft Windows Server 2003 Standard x64 Edition および Enterprise x64 Edition
- Red Hat® Enterprise Linux AS for Intel x86 および ES for Intel x86（バージョン3および4）

- Red Hat Enterprise Linux AS for Intel Extended Memory 64 Technology (Intel EM64T) および ES for Intel EM64T (バージョン 4)
- SUSE® Linux Enterprise Server 9 for Intel EM64T
- Novell® NetWare® 6.5 (利用可能な場合。工場出荷時のインストールはできません)

その他の情報

 **警告：**『製品情報ガイド』には、安全および認可機関に関する情報が記載されています。保証に関する情報については、『サービス&サポートのご案内』を参照してください。


- システムをラックに取り付ける方法については、ラックに付属の『ラック取り付けガイド』に説明があります。
- 『ハードウェアオーナーズマニュアル』では、システムの機能、トラブルシューティング方法、およびコンポーネントの取り付けや交換の方法について説明しています。『ハードウェアオーナーズマニュアル』はシステムに付属の CD に収録されているか、または support.dell.com で入手できます。
- システムに付属の CD には、システムの設定と管理に使用するマニュアルやツールが収録されています。
- リリースノートまたは readme ファイルには、システムまたはマニュアルの最新のアップデート情報や、専門知識をお持ちのユーザーや技術者のための高度な技術情報が記載されています。

テクニカルサポートの利用法


このガイドの手順が理解できない場合やシステムが思ったとおりに動作しない場合は、『ハードウェアオーナーズマニュアル』を参照してください。


デルでは、企業向けのトレーニングと資格認証を実施しています。詳細については、www.dell.com/training を参照してください。このサービスは、ご利用いただけない地域があります。

取り付けと設定

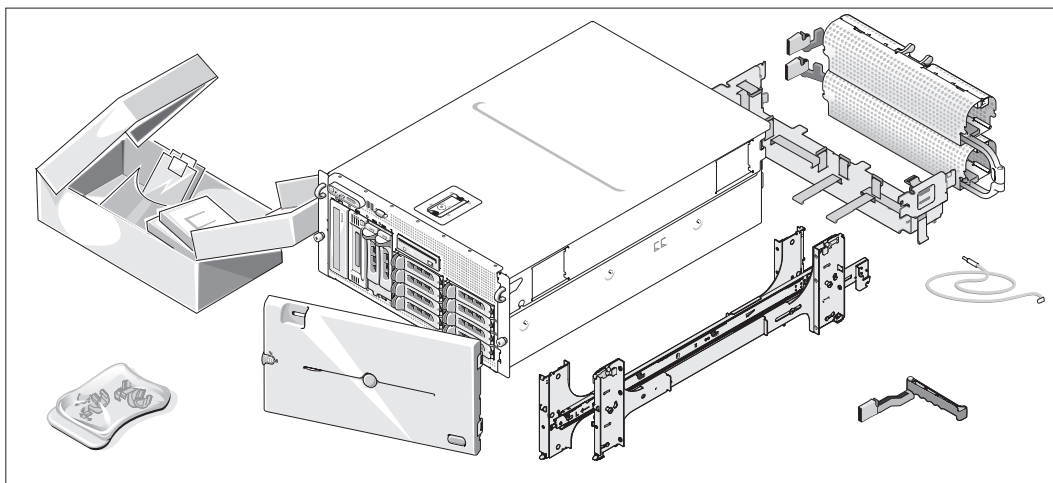
 **警告：**次の手順を実行する前に、『製品情報ガイド』に記載されている安全にお使いいただくための注意事項と認可機関に関する情報をよく読み、指示に従ってください。

本項では、システムを初めてセットアップする際の手順について説明します。以下の図はラック取り付け型のシステムを示したものですが、取り付けの手順は大部分がスタンドアロンタワーシステムにも当てはまります。手順 2 でラックを取り付ける代わりに、システムに付属のマニュアルを参照してスタビライザをシステムに取り付けてください。

 **警告：**スタンドアロンタワーシステムを安定させるには、スタビライザを取り付ける必要があります。スタビライザを取り付けないと、システムが転倒して、場合によってはけがやシステムの損傷を招くおそれがあります。

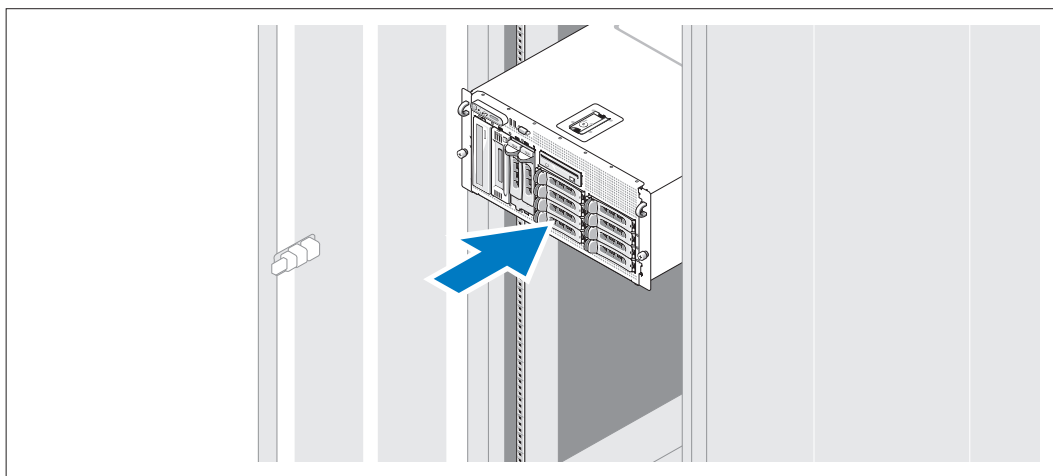
 **警告：**システムを持ち上げる必要がある場合は、必ずだれかの手を借りてください。けがを防ぐために、決してシステムを一人で持ち上げようとしないでください。

システムの開梱



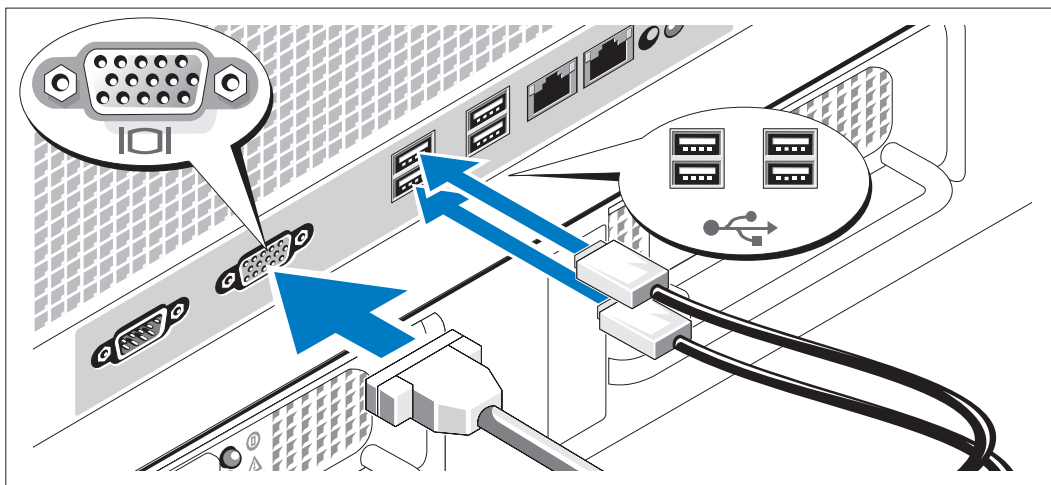
- 1 システムを箱から取り出し、同梱品がすべて揃っていることを確認します。
後で必要になる場合があるので、梱包材と箱は保管しておいてください。

ラックへのレールとシステムの取り付け



- 2 お使いのシステムのラック取り付けガイドに記載されている「安全にお使いいただくために」を読まれたら、ラックにレールとシステムを取り付けます。
システムをラックに取り付ける手順については、ラック取り付けガイドを参照してください。
タワーシステムの場合は、システムに付属のマニュアルを参照してシステムスタビライザを取り付けてください。

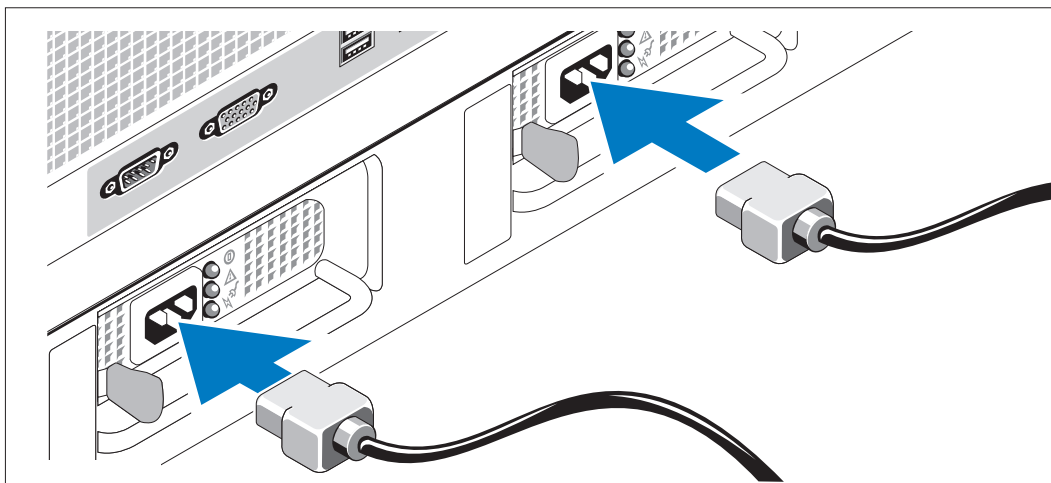
キーボード、マウス、モニターの接続



- 3** キーボード、マウス、モニター（オプション）を接続します。

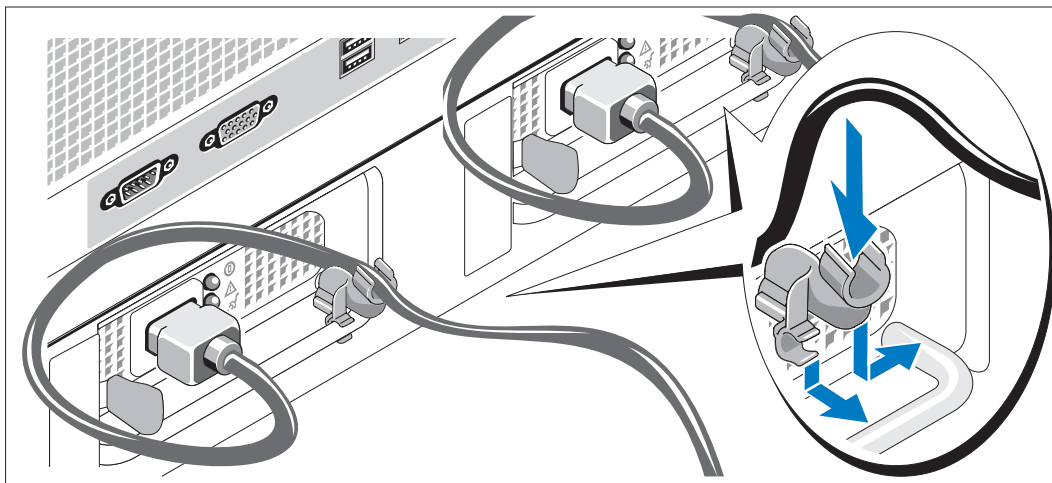
システム背面のコネクタには、どのケーブルを各コネクタに接続するかを示すアイコンがあります。モニターのケーブルコネクタにネジがある場合は、必ず締めてください。

電源の接続



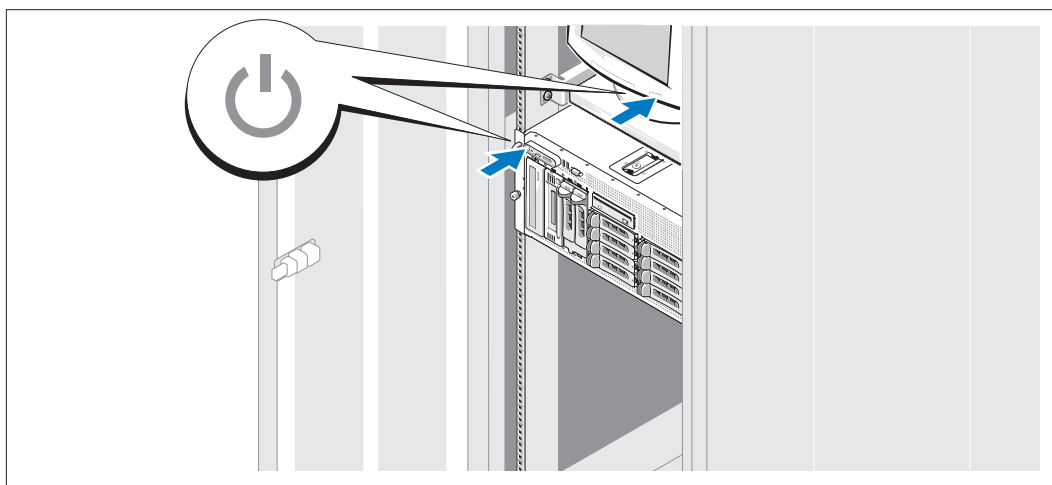
- 4** システムの電源ケーブルをシステムに接続します。
- 5** 電源コードのもう一方の端をアースされた電源コンセントまたは UPS（無停電電源装置）や配電装置（PDU）などの電源に接続します。

電源コード固定ブラケットの取り付け



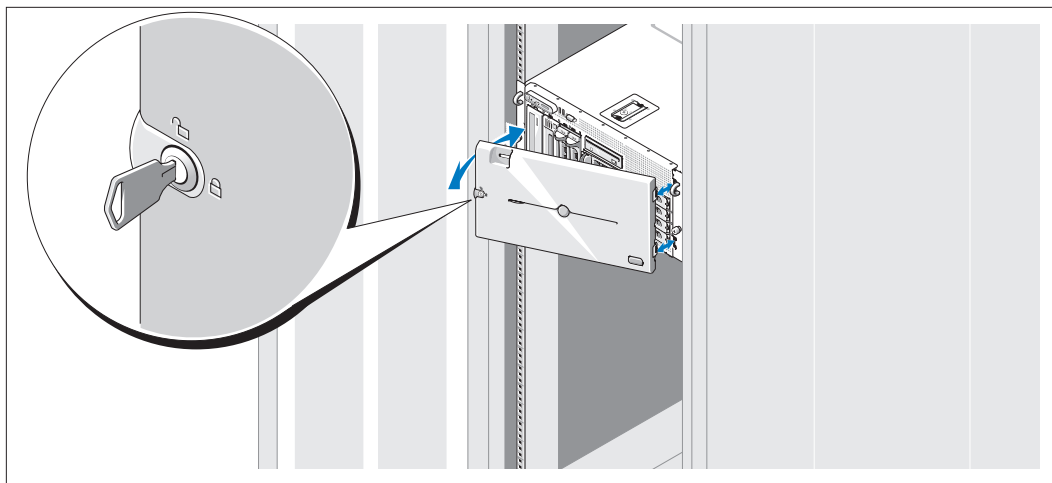
- 6** 電源コード固定ブラケットを電源装置ハンドルの右バンドに取り付けます。システムの電源ケーブルをループ状に曲げ（図を参照）、ブラケットのケーブル留め金に取り付けます。2台目の電源装置についても同じ手順を繰り返します。

システムの電源投入



- 7** システムとモニター（オプション）の電源を入れます。
システムとモニターの電源ボタンを押します。電源インジケータが点灯します。表示されたイメージが最適の状態になるまで、モニターのコントロールを調節します。

ベゼルの取り付け



8 ベゼルの取り付け（オプション）

オペレーティングシステムのセットアップの完了

システムにオペレーティングシステムがプリインストールされている場合は、システムに同梱のオペレーティングシステムのマニュアルを参照してください。オペレーティングシステムを初めてインストールする場合は、『クイックインストールガイド』を参照してください。システムとは別途に購入したハードウェアやソフトウェアのインストールは、オペレーティングシステムがインストール済みであることを確認してから行ってください。

仕様

プロセッサ

プロセッサの種類	デュアルコア Intel Xeon Processors 5000 Sequence が 1 つまたは 2 つ
----------	---

拡張バス

バスの種類	PCI、PCI-X、PCIe
-------	----------------

拡張スロット

PCI-X	フルハイト、フルレングスの 3.3 V、64 ビット、133 MHz × 2 (スロット 1 および 2)
PCIe	x8 レーン、3.3 V (スロット 3) x4 レーン、3.3 V × 3 (スロット 4 ~ 6)

メモリ

アーキテクチャ	533 または 667 MHz (利用可能な場合) の完全バッファ型 DIMM (FBD)
メモリモジュールソケット	240 ピン × 12
メモリモジュール容量	256 MB、512 MB、1 GB、2 GB、または 4 GB
最小 RAM	512 MB (256 MB モジュール × 2)
最大 RAM	48 GB

ドライブ

ハードドライブ	ホットプラグ対応の 3.5 インチ内蔵 SAS または SATA × 10 台まで <ul style="list-style-type: none">内蔵ドライブベイに 8 台オプションの 1x2 フレックスベイ拡張バックプレーンに 2 台
ディスクドライブ	オプションの 3.5 インチ、1.44 MB ドライブ オプションの 3.5 インチ、1.44 MB USB 外付けドライブ
オプティカルドライブ	オプションの CD、DVD、または CD-RW/DVD コンボドライブ メモ ：DVD デバイスはデータ専用。 オプションの USB 外付け CD-ROM オプションの USB 外付け DVD-ROM
フラッシュドライブ	オプションの USB 外付け

コネクタ

背面

NIC	TOE 対応 RJ-45 (内蔵 1 GB NIC 用) × 2
シリアル	16550 互換 9 ピン DTE
USB	4 ピン USB 2.0 準拠 × 4
ビデオ	15 ピン VGA

正面

ビデオ	15 ピン VGA
USB	4 ピン USB 2.0 準拠 × 2

ビデオ

ビデオタイプ	ATI ES1000 ビデオコントローラ、VGA コネクタ
ビデオメモリ	16 MB の DDR SDRAM

電源

AC 電源装置 (各電源装置につき)

ワット数	930 W
電圧	AC 90 ~ 264 V、自動選択、47 ~ 63 Hz
放熱	最大 2697 BTU/時
最大流入電流	通常のラインコンディションのもと、システムの動作環境全範囲で、電源装置 1 台につき 10 ms 以下で 55 A の入電量を許容できます

バッテリー

システムバッテリー	3.0 V コイン型リチウムイオン電池 CR 2032
RAID バッテリー (オプション)	4.1 V リチウムイオン

物理的仕様

ラック

高さ	21.77 cm
幅	44.27 cm (シャーシのみ) 48.27 cm (ラックのフランジを含む)
奥行	66.13 cm (コントロールパネルとベゼルは含まず。コントロールパネルを含めると +1.3 cm)
重量 (最大構成)	45.36 kg

物理的仕様（続き）

タワー（ベゼルなし）

高さ	47.89 cm（スタビライザを含む。キャスターは含まず）
幅	22.66 cm
奥行	66.13 cm（コントロールパネルとベゼルは含まず。コントロールパネルを含めると +1.3 cm）
重量（最大構成）	49.9 kg

環境

メモ：特定のシステム構成でのその他の環境条件の詳細については、www.dell.com/environmental_datasheets を参照してください。

温度

動作時	10 ~ 35 °C
保管時	-40 ~ 65 °C

相対湿度

動作時	1 時間当たり最大 10 % の湿度変化で 20 ~ 80%（結露しないこと）
保管時	5 ~ 95%（結露しないこと）

最大振動

動作時	z 軸の方向に 2 分間に 5 ~ 350 Hz で 0.26 G
保管時	すべての方向に 15 分間に 10 ~ 250 Hz で 1.54 G

最大衝撃

動作時	z 軸の正方向に 2 ミリ秒以下で 41 G の 1 衝撃パルス（システムの各面に対して 1 パルス）
保管時	x、y、z 軸の正および負方向に 6 連続衝撃パルス（システムの各面に対して 1 パルス）、 2 ミリ秒以下で 71 G

高度

動作時	-16 ~ 3,048 m
保管時	-16m ~ 10,600 m

Dell™ PowerEdge™ 2900 시스템 시스템 시작하기

참고 , 알림 , 주의



참고: 참고는 컴퓨터를 보다 효율적으로 사용하는데 도움이 되는 중요 정보를 제공합니다.



주의사항: 알림은 하드웨어의 손상 또는 데이터 유실 위험을 설명하며, 이러한 문제를 방지할 수 있는 방법을 알려줍니다.



주의: 주의는 재산상의 피해나 심각한 부상 또는 사망을 유발할 수 있는 위험이 있음을 나타냅니다.

본 설명서에 수록된 정보는 사전 통보 없이 변경될 수 있습니다.

© 2005 Dell Inc. All rights reserved.

어떠한 경우에도 Dell Inc.의 사전 승인 없이 무단 복제하는 행위는 엄격하게 금지되어 있습니다.

본 설명서에 사용된 상표인 *Dell* 및 *DELL* 로고는 Dell Inc.의 상표입니다. *Intel* 및 *Xeon*은 Intel Corporation의 등록 상표입니다. *Microsoft* 및 *Windows*는 Microsoft Corporation의 등록 상표이고 *Windows Server*는 Microsoft Corporation의 상표입니다. *Novell* 및 *NetWare*는 Novell, Inc.의 등록 상표입니다. *Red Hat*은 Red Hat, Inc.의 등록 상표이고 *SUSE*는 SUSE LINUX Products GmbH의 등록 상표입니다.

본 설명서에서 특정 회사의 표시나 제품 이름을 지칭하기 위해 기타 상표나 상호를 사용할 수도 있습니다. Dell Inc.는 자사가 소유하고 있는 것 이외에 기타 모든 등록 상표 및 상표 이름에 대한 어떠한 소유권도 보유하지 않습니다.

모델 ECM01

2005 년 11 월

P/N YC465

Rev. A00

시스템 특징

본 시스템의 주요 하드웨어 및 소프트웨어 특징

- 하나 또는 두 개의 듀얼 코어 Intel® Xeon® 프로세서 5000 Sequence.
- 2개의 Intel Xeon 프로세서를 장착한 시스템에 사용 가능한 SMP (Symmetric MultiProcessing) 지원. SMP는 독립된 프로세서 사이에 작업을 분배함으로써 전체 시스템 성능을 크게 향상시킵니다. 이 기능을 사용하려면 멀티프로세싱 방식을 지원하는 운영 체제를 사용해야 합니다.



참고: 보조 프로세서를 설치하여 시스템을 업그레이드하려면 Dell에서 프로세서 업그레이드 키트를 구입해야 합니다. Intel Xeon 프로세서의 일부 버전만 추가 프로세서로 사용할 수 있습니다. Dell에서 제공하는 업그레이드 키트에는 올바른 버전의 프로세서, 방열판 및 팬과 업그레이드 지침이 들어 있습니다.

- 시스템 보드의 12개의 메모리 모듈 소켓에 256MB, 512MB, 1GB, 2GB 또는 4GB 메모리 모듈 조합을 설치하여 최대 48GB로 업그레이드할 수 있는 최소 512MB의 533MHz 또는 667MHz (이용 가능한 경우) 풀리 버퍼드 DIMM (FBD).

또한 시스템은 메모리 배분(sparing) 또는 메모리 미러링(mirroring)을 제공하는 중복 메모리를 사용합니다. 각 기능은 8개 또는 12개의 동일한 메모리 모듈이 설치된 경우에 이용할 수 있습니다.

- 최대 10개의 3.5인치 내장 핫플러그형 SAS (Serial-Attached SCSI) 또는 SATA 하드 드라이브 (3.5인치 내장 하드 드라이브(핫플러그형 후면판 보드 포함) 8개와 선택 사양인 1x2 플렉스베이 후면판 보드를 사용하는 주변장치 베이에 장착된 추가 핫플러그형 3.5인치 드라이브 2개 지원).
- 선택 사양인 광학 드라이브를 지원하는 주변장치 베이와 선택 사양인 1/2 높이 테이프 백업 장치(TBU). 전체 높이 TBU는 1x2 플렉스베이 브래킷이 제거된 경우에 지원됩니다.
- 1.44MB 3.5인치 디스켓 드라이브(선택 사양) 1개.
- 선택 사양인 CD, DVD 또는 CD-RW/DVD 콤보 드라이브 1개.



참고: DVD 장치는 데이터 전용입니다.

- 컴퓨터 덮개가 열리면 시스템 관리 소프트웨어에 신호를 보내는 새시 침입 스위치.
- 1 + 1 중복 구성으로 최대 2개의 핫플러그형 930W 전원 공급 장치.
- 핫플러그형 시스템 냉각팬 6개.

다음은 시스템 보드에 내장되어 있는 특징입니다.

- 확장 카드 케이스에 설치된 6개의 PCI 슬롯. 슬롯 1 및 2 - 3.3V 64비트 133MHz PCI-X 슬롯, 슬롯 3 - 3.3V PCIe 8배폭 레인; 슬롯 4 ~ 6 - 3.3V PCIe 4배폭 레인. 확장 카드 슬롯에는 전체 높이, 전체 길이의 확장 카드를 장착할 수 있습니다. PCIe 슬롯에는 최대 8배폭의 확장 카드가 장착이 가능합니다.

- 내장형 SAS 호스트 버스 어댑터 또는 선택 사양인 내장형 RAID 컨트롤러 카드(256MB 캐쉬 메모리와 RAID 전지 포함)용 전용 PCI 슬롯.



참고: 시스템 부팅은 SAS 5/E, PERC 5/E, PERC 4e/DC를 포함하여 SAS 또는 SCSI 어댑터에 연결된 외부 장치에서는 지원되지 않습니다. 최신 지원 정보와 외부 장치를 사용한 부팅에 대한 내용은 support.dell.com을 참조하십시오.

- 10Mbps, 100Mbps, 1000Mbps 데이터 전송률을 지원하는 내장형 Gigabit Ethernet NIC 2개.
- 디스켓 드라이브, CD-ROM 또는 DVD-ROM 드라이브, 키보드, 마우스 또는 USB 플래쉬 드라이브를 지원하는 USB 2.0 호환 커넥터 6개(전면에 2개, 후면에 4개).
- 원격 시스템 관리를 위한 RAC (Remote Access Controller) 옵션.
- ATI ES1000, 33MHz PCI 비디오 컨트롤러가 장착된 내장형 VGA 호환 비디오 서브시스템. 이 비디오 서브시스템에는 16MB의 DDR SDRAM 비디오 메모리가 포함되어 있습니다(업그레이드 불가능). 최대 해상도는 1600 x 1200(64,000색)이며 다음 해상도에서 트루 컬러 그래픽이 지원됩니다: 640 x 480, 800 x 600, 1024 x 768, 1152 x 864 및 1280 x 1024. 추가 RAC를 설치한 경우 비디오 해상도는 1024 x 768입니다.
- 시스템 팬, 임계 시스템 전압 및 온도 등의 작동을 모니터링하는 시스템 관리 회로. 시스템 관리 회로는 시스템 관리 소프트웨어와 연계하여 작동합니다.
- 직렬 액세스를 사용하는 표준 베이스보드 관리 컨트롤러.
- 후면 패널 커넥터에는 직렬 커넥터 1개, 비디오 커넥터 1개, USB 커넥터 4개 및 NIC 커넥터 2개가 포함됩니다.
- 전면 패널 커넥터에는 비디오 커넥터 1개 및 USB 커넥터 2개가 포함됩니다.
- 시스템 ID 및 오류 메시지가 표시되는 전면 패널 1x5 LCD.
- 전면 및 후면 패널의 시스템 ID 단추.

특정 기능에 관한 자세한 내용은 58 페이지의 "기술 사양"을 참조하십시오.

지원되는 운영 체제

- Microsoft® Windows Server™ 2003 Standard 및 Enterprise Edition
- Microsoft Windows Small Business Server 2003, Standard 및 Premium Edition
- Microsoft Windows Server 2003 Standard 및 Enterprise x64 Edition
- Intel x86용 Red Hat® Enterprise Linux AS 및 ES (버전 3 및 버전 4)
- Intel EM64T (Intel Extended Memory 64 Technology)용 Red Hat Enterprise Linux AS 및 ES (버전 4)
- Intel EM64T용 SUSE® Linux Enterprise Server 9
- Novell® NetWare® 6.5 (사용 가능한 경우; 공장 출하시 설치 제공 안됨)

기타 필요한 정보

⚠ 주의 : 제품 정보 안내는 중요한 안전 지침 및 규제 관련 정보를 제공합니다. 보증 정보는 본 설명서에 포함되어 있거나 별도의 문서로 제공됩니다.

- 랙 솔루션과 함께 제공되는 **랙 설치 안내 지침** 또는 **랙 설치 설명서**에는 시스템을 랙에 설치하는 방법이 기술되어 있습니다.
- **하드웨어 소유자 설명서**에서는 시스템 기능에 대한 정보를 제공하고 시스템 문제 해결 방법 및 시스템 구성요소 설치 또는 교체 방법을 설명합니다. **하드웨어 소유자 설명서**는 시스템과 함께 제공되는 CD에 수록되어 있으며 support.dell.com에서도 다운로드가 가능합니다.
- 시스템과 함께 제공되는 CD에는 시스템 구성과 관리를 위한 문서와 도구가 포함되어 있습니다.
- 발행 정보나 readme 파일에는 시스템에 대한 최신 업데이트 사항이나 전문가 또는 기술자를 위한 고급 기술 참조 자료가 포함되어 있을 수 있습니다.

기술 지원 얻기

본 설명서의 절차가 이해되지 않거나 시스템이 제대로 작동하지 않을 경우에는 **하드웨어 소유자 설명서**를 참조하십시오.

이제 Dell Enterprise Training and Certification을 이용할 수 있습니다. 자세한 사항은 www.dell.com/training을 방문하십시오. 지역에 따라 이 서비스가 제공되지 않을 수도 있습니다.

설치 및 구성

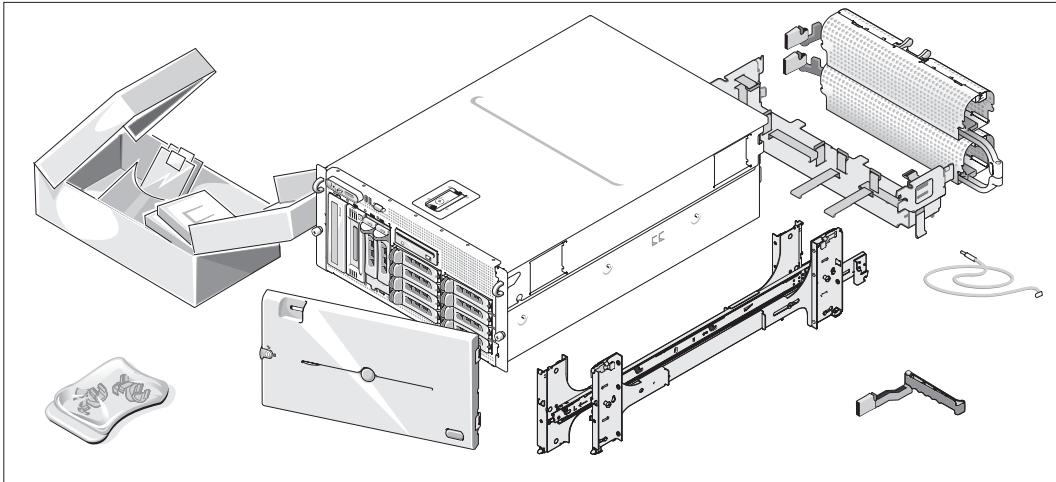
⚠ 주의 : 아래에 설명된 절차를 수행하기 전에 제품 정보 안내의 안전 지침 및 중요한 규제 관련 정보를 읽고 준수하십시오.

이 절에서는 처음 시스템을 설정하는 절차를 설명합니다. 다음 페이지 이하에 나오는 그림에는 랙 장착 시스템이 표시되어 있으나 본 설치 절차는 독립형 타워 시스템의 많은 부분에도 그대로 적용됩니다. 2 단계의 랙 설치 대신에 시스템에 포함된 설명서에서 시스템에 고정 다리 설치 방법을 참조하십시오.

⚠ 주의 : 시스템에 안정된 기초를 제공하기 위해 독립형 타워 시스템에 고정 다리를 설치해야 합니다. 고정 다리를 설치하지 않으면 시스템이 넘어질 위험이 있으며 이로 인해 부상을 입거나 시스템이 손상될 수 있습니다.

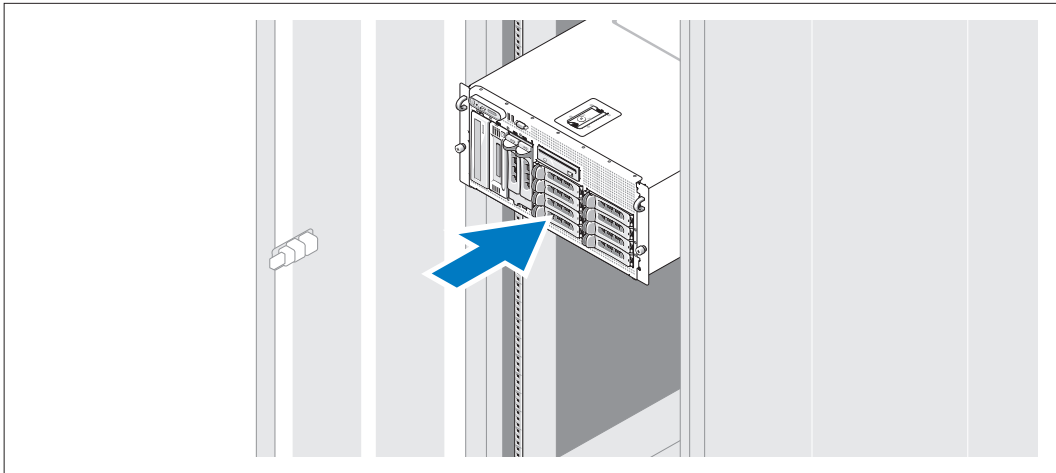
⚠ 주의 : 시스템을 옮겨야 하는 경우에는 반드시 다른 사람들의 도움을 받으십시오. 부상 방지를 위해 혼자 시스템을 들지 마십시오.

시스템 포장 풀기



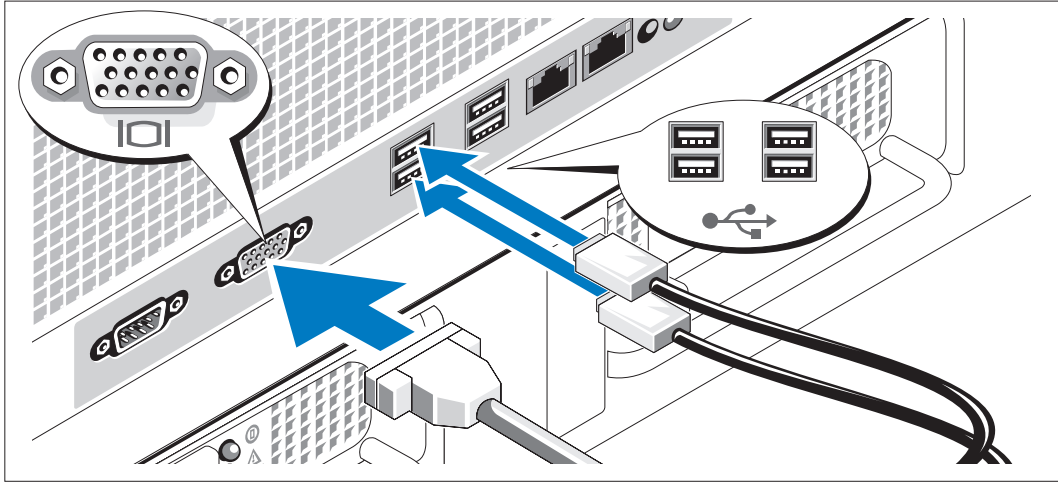
- 1 시스템 포장을 제거하고 각 항목을 확인합니다.
모든 운송 포장재는 나중에 필요할 수 있으므로 보관하십시오.

랙에 레일과 시스템 설치



- 2 시스템의 랙 설치 안내서에 나와 있는 "안전 지침"을 읽은 후에 레일과 시스템을 랙에 설치합니다.
랙에 시스템을 설치하는 자세한 지침은 랙 설치 안내서를 참조하십시오.
타워 시스템의 경우 시스템과 함께 제공되는 설명서에서 시스템 고정 다리 설치 방법을 참조하십시오.

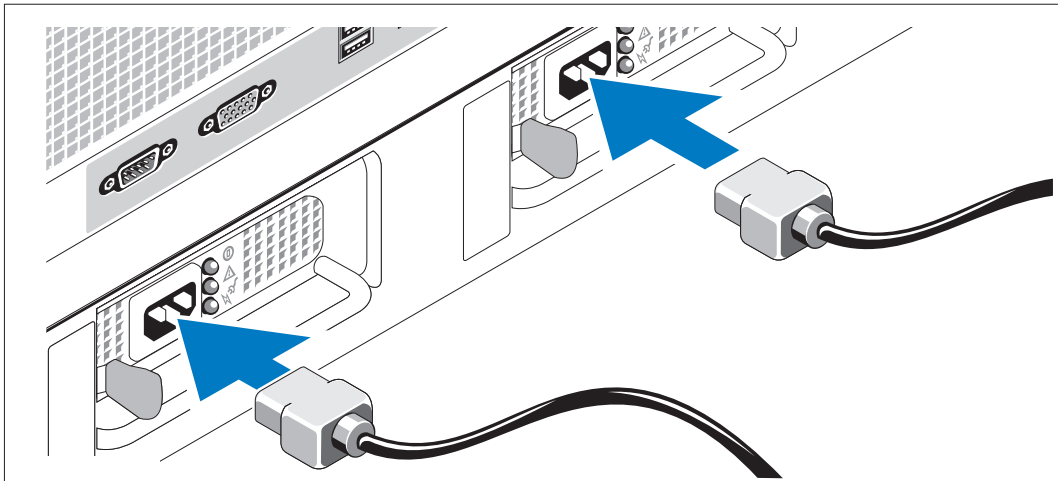
키보드, 마우스 및 모니터 연결



- 3** 키보드, 마우스 및 모니터(선택 사양)를 연결합니다.

시스템 후면에 있는 커넥터에는 각 커넥터에 연결될 케이블이 표시된 아이콘이 있습니다. 모니터의 케이블 커넥터에 있는 나사(해당하는 경우)를 단단히 고정하십시오.

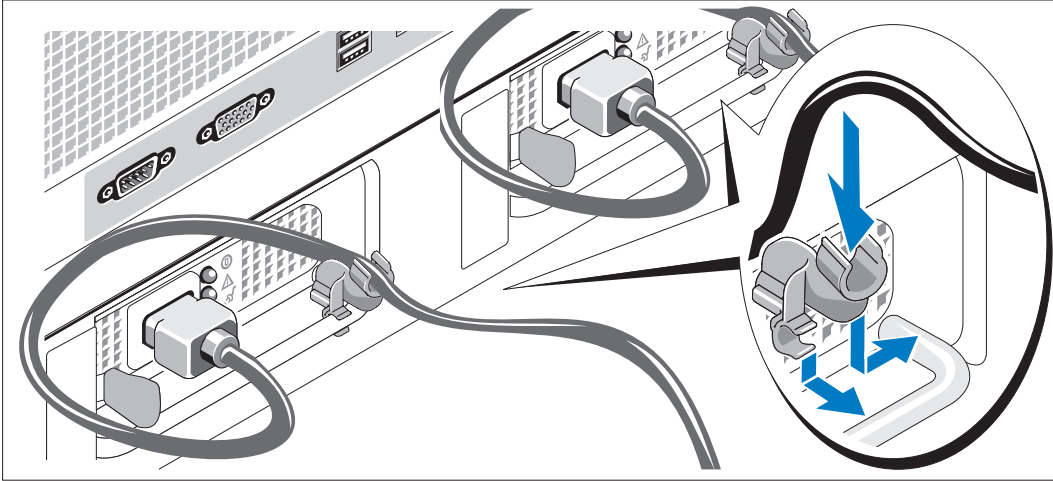
전원 연결



- 4** 시스템의 전원 케이블을 시스템에 연결합니다.

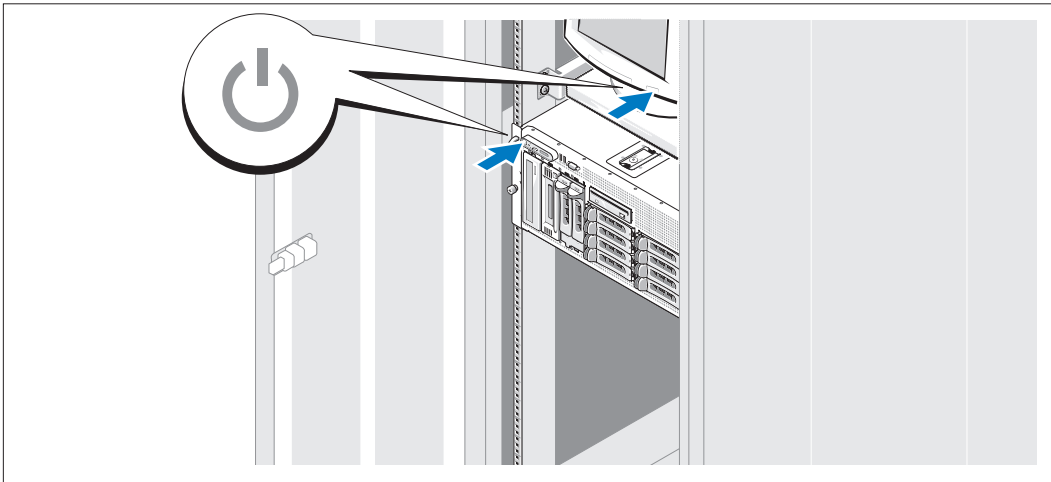
- 5** 케이블의 반대쪽 끝을 접지된 전원이나 UPS (Uninterruptible Power Supply) 또는 PDU (Power Distribution Unit) 와 같은 별도의 전원에 연결합니다.

전원 코드 고정 브래킷 연결



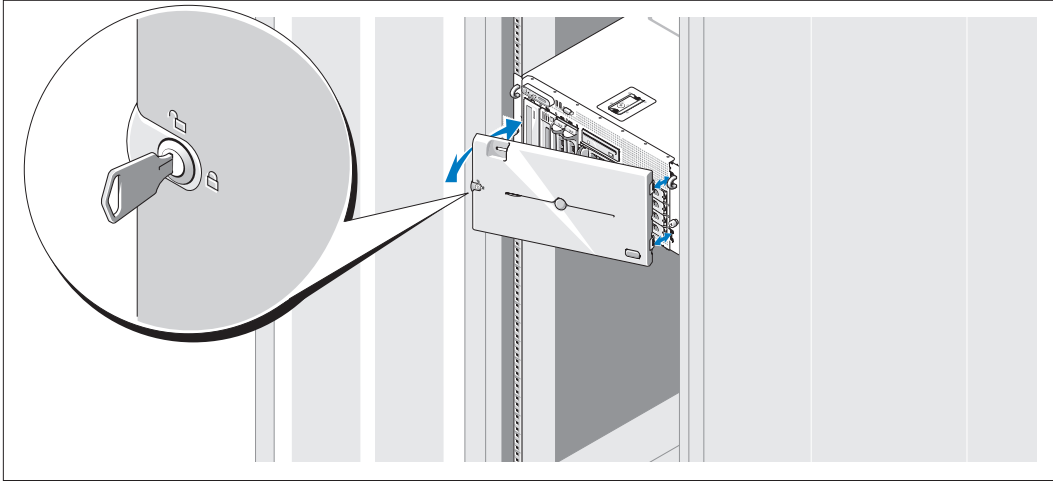
- 6** 전원 공급 장치 팬들의 오른쪽 밴드에 있는 전원 코드 고정 브래킷을 연결합니다. 그림과 같이 시스템 전원 케이블을 고리 안으로 구부려서 브래킷의 케이블 걸쇠에 연결합니다. 두 번째 전원 공급 장치에 대해서도 이 과정을 반복합니다.

시스템 켜기



- 7** 시스템과 모니터(선택 사양)의 전원을 켭니다.
시스템 및 모니터의 전원 단추를 누릅니다. 그러면 전원 표시등이 켜집니다. 화면 상태가 만족스러울 때까지 모니터의 컨트롤을 조정합니다.

베젤 설치



- 8 베젤(선택 사양)을 설치합니다.

운영 체제 설치 수행

시스템 구입시 운영 체제가 미리 설치되어 있는 경우에는 시스템과 함께 제공되는 운영 체제 설명서를 참조하십시오. 운영 체제를 처음으로 설치하려면 **빠른 설치 안내서**를 참조하십시오. 시스템과 함께 구입하지 않은 하드웨어 또는 소프트웨어를 설치하기 전에 운영 체제가 설치되어 있는지 확인하십시오.

기술 사양

프로세서	
프로세서 유형	하나 또는 두 개의 듀얼 코어 Intel Xeon 프로세서 5000 Sequence
확장 버스	
버스 유형	PCI, PCI-X, PCIe
확장 슬롯	
PCI-X	전체 높이, 전체 길이 3.3V, 64비트, 133MHz 1개 (슬롯 1 및 슬롯 2)
PCIe	8배폭 레인 3.3V 1개(슬롯 3) 4배폭 레인 3.3V 3개(슬롯 4 ~ 슬롯 6)
메모리	
아키텍처	533MHz 또는 667MHz (이용 가능한 경우) 풀리 버퍼드 DIMM (FBD)
메모리 모듈 소켓	240핀 12개
메모리 모듈 용량	256MB, 512MB, 1GB, 2GB 또는 4GB
최소 RAM	512MB (256MB 모듈 2개)
최대 RAM	48GB
드라이브	
하드 드라이브	3.5인치 내장 핫플러그형 SAS 또는 SATA 최대 10개 <ul style="list-style-type: none"> • 내장 드라이브 베이에 8 개 드라이브 • 선택 사양인 1x2 플렉스베이 후면판 확장에 2 개 드라이브
디스켓 드라이브	3.5인치, 1.44MB 드라이브(선택 사양) 1개 외장형 USB 3.5인치, 1.44MB 드라이브(선택 사양)
광학 드라이브	선택 사양인 CD, DVD 또는 CD-RW/DVD 콤보 1개 참고: DVD 장치는 데이터 전용입니다. 외장형 USB CD-ROM (선택 사양) 외장형 USB DVD-ROM (선택 사양)
플래쉬 드라이브	외장형 USB (선택 사양)

커넥터

후면

NIC	TOE 가능 RJ-45(내장형 1GB NIC용) 2개
직렬	9핀, DTE, 16550 호환
USB	4핀 4개, USB 2.0 호환
비디오	15핀 VGA

전면

비디오	15핀 VGA
USB	4핀 2개, USB 2.0 호환

비디오

비디오 유형	ATI ES1000 비디오 컨트롤러; VGA 커넥터
비디오 메모리	16MB DDR SDRAM

전원

AC 전원 공급 장치(전원 공급 장치마다)

와트	930W
전압	90-264VAC, 자동 범위 조정, 47-63Hz
열 손실	최대 2697BTU/hr
최대 유입 전류	일반적인 라인 상태나 전체 시스템의 작동 범위에서는 최대 유입 전류가 10ms 이하 동안 전원 공급 장치당 55A에 달할 수 있습니다.

전지

시스템 전지	CR 2032 3.0V 리튬 이온 코인 셀
RAID 전지 (선택 사양)	4.1V 리튬 이온

규격

랙

높이	21.77cm (8.57인치)
너비	44.27cm (17.43인치) - 새시만 48.27cm (19인치) - 랙 플랜지 포함
깊이	66.13cm (26.04인치) - 제어판 또는 베젤 미포함; 제어판 포함시 1.3cm(0.51인치) 추가
무게 (최대 구성시)	45.36kg (100lb)

규격 (계속)

타워 (베젤 미장착)

높이	47.89cm (18.85인치) - 다리 포함, 캐스터 미포함
너비	22.66cm (8.92인치)
깊이	66.13cm (26.04인치) - 제어판 또는 베젤 미포함; 제어판 포함시 1.3cm (0.51인치) 추가
무게 (최대 구성시)	49.9kg (110lb)

환경

참고: 특정 시스템 구성을 위한 환경 측정에 대한 추가 정보는 www.dell.com/environmental_datasheets를 참조하십시오.

온도

작동	10° ~ 35°C (50° ~ 95°F)
보관	-40° ~ 65°C (-40° ~ 149°F)

상대 습도

작동	20% ~ 80% (비응축), 시간당 10%의 최고 습도 변화시
보관	5% ~ 95% (비응축)

최대 진동

작동	Z축에서 2분 동안 5-350Hz에서 0.26G
보관	모든 방향에서 15분 동안 10-250Hz에서 1.54G

최대 충격

작동	최대 2ms 동안 (+) z축으로 41G의 충격 펄스 (시스템 각 면에 1회의 펄스) 1회
보관	최대 2ms 동안 (+/-) x, y, z축으로 71G의 연속 충격 펄스(시스템 각 면에 1회의 펄스) 6회

고도

작동	-16 ~ 3,048m (-50 ~ 10,000ft)
보관	-16 ~ 10,600m (-50 ~ 35,000ft)